

USA office: Fontana **AUS** office: Truganina **GBR** office: Ipswich **ITA** office: Milano **POL** office: Gdańsk
DEU office: FDS GmbH, Neuer Höltigbaum 36, 22143 Hamburg, Deutschland **FRA** office: Saint Vigor d'Ymonville

If you're having difficulty, our friendly customer team is always here to help.



USA:cs.us@costway.com POL:sklep@costway.com
AUS:cs.au@costway.com DEU:cs.de@costway.com
GBR:cs.uk@costway.com FRA:cs.fr@costway.com
ITA:cs.it@costway.com ESP:cs.es@costway.com

Inflatable Water Park
Aufblasbarer Wasserpark
Château Aquatique Gonflable
Parque Acuático Inflable
Parco Acquatico Gonfiabile
Nadmuchiwany park wodny
OP70963 OP70653

THIS INSTRUCTION BOOKLET CONTAINS **IMPORTANT** SAFETY INFORMATION. PLEASE READ AND KEEP FOR FUTURE REFERENCE.



Before You Start

Please read all instructions carefully and keep it for future reference.

Warnings

Attention: For home use only.

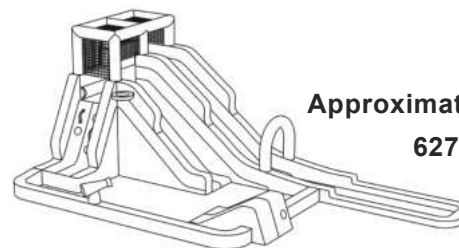
Attention: Children should use this product under the parental supervision.

Danger: Keep all small parts and packaging materials for this product away from babies and children, otherwise they may pose a choking hazard.

Danger: Lack of attachment may cause a risk of tipping or falling hazard.

General Warnings

- ⚠ The product must be installed and used under the supervision of an adult.
- ⚠ Read through each step carefully and follow the proper order.
- ⚠ Remove all packaging, separate and count all parts and hardware.
- ⚠ Please ensure that all parts are correctly installed, incorrect installation can lead to a danger.
- ⚠ We recommend that, where possible, all items are assembled near the area in which they will be placed in use, to avoid moving the product unnecessarily once assembled.
- ⚠ Ensure a secure surface during installation, and place the product always on a flat, steady and stable surface.
- ⚠ Please check and maintain it regularly, and the most important part needs to be suspended, fixed, or anchored to the ground.



Inflatable Water Park

Ages: 3-10 years

Approximate Size of Inflated Water Park

627 x 330 x 232 cm/21 x 11 x 8 ft

⚠ WARNING

FAILURE TO FOLLOW THESE INSTRUCTIONS COULD RESULT IN SERIOUS INJURY OR DEATH.

Do not use extension cords with this product. Outdoor use only. Read all instructions before assembling this inflatable device. Keep instructions for future use.

USERS MUST BE CAREFUL ABOUT THE BOUNCY ORIENTATION WITH REGARD TO THE SUN.

The sliding surface should not be located under the sun as it can dazzle children when using the bouncy.

Children (especially toddlers) are at high risk of drowning.

Closely watch children who are in or near this Inflatable device. Empty inflatable device or prevent access when not in use.

Drowning Risk:

- Keep unsupervised children from accessing the pool by installing fencing or other approved barrier around all sides of the Water Park.



- State or local laws or codes may require fencing or other approved barriers. Check state or local laws and codes before setting up the Water Park.
- Drowning occurs silently and quickly. Assign an adult to supervise the Water Park.
- Keep children in your direct sight when they are in or near the Water Park and when you are filling and emptying the Water Park.
- When searching for a missing child, check the pool first, even if you think your child is in the house.

First Aid:

- Keep a working phone and list of emergency numbers near the Water Park.
- Become certified in cardiopulmonary resuscitation (CPR) so you can respond to an emergency.

PART LIST



(A) x1
Water Park



(B) x1
Hose assembly
Kit



(C) x1
Carrying Bag



(D) x8
Water Park
Stakes



(E) x4
Repair
Patches



(F) x2
Swimming
rings



(G) x1
PVC ball

SAFETY WARNINGS: SET UP

ADULT SUPERVISION AND SET UP REQUIRED. This product should be inflated or deflated only by a competent adult.

Follow all instructions provided.

WARNING! Falls onto hard surfaces can result in head or other serious injuries.

Never place on concrete, asphalt, wood, packed earth, or other hard surfaces.

Carpet over hard floors may not prevent injury.

WARNING!

- Only for domestic use. Intended for outdoor domestic use only.

Not for use in public areas or as a rental.

- Product is heavy. Use caution when lifting.
- Product should never be dragged across concrete, pavement or other rough surfaces.

WARNING!

- Keep away from fire. Keep fabric clear of all flame and ignition sources.
- Do not set up in windy or rainy conditions: sudden gusts of wind may lift the product off the ground.
- Product can be installed in any orientation in relation to the sun, since there are no metal components or surfaces that can absorb excessive solar radiation.
- Set-up in outdoor location only that meets the following criteria:
 - Place on level ground and firm grass or soil to allow proper use of stakes.

- Placing on slanted or uneven surfaces may cause the product to tip.

- Stakes should be placed at an angle for better anchorage, should be driven under the ground to prevent tripping.

- Minimum clearance zones: Place at least 2m/6.6FT away from any other objects.

- Objects to be avoided include but are not limited to fences, buildings, trees, overhead branches, laundry lines, electrical wires, walls, or bodies or sources of water.

- Make sure the area around the product is secure by adding safety barriers, if necessary, to keep young children and pets from gaining access.

- Electrical cord must not be passed under the air filled devices (Inflatable Bouncer with Slide) and interfere with its operation.

- The Bouncer with Slide uses a main powered blower (air pump) to maintain pressure, only to be used by an adult.

- Only the blower supplied should be used for inflation.

- Do not use extension cords with this product. Set up as close to power source as possible. The blower should be securely anchored to the ground before use.

- CAUTION: the blower is capable of moving large volumes of air very quickly. Place the blower in an area where it will not draw in dirt or leaves.

Keep blower and power cord away from children, water and traffic.

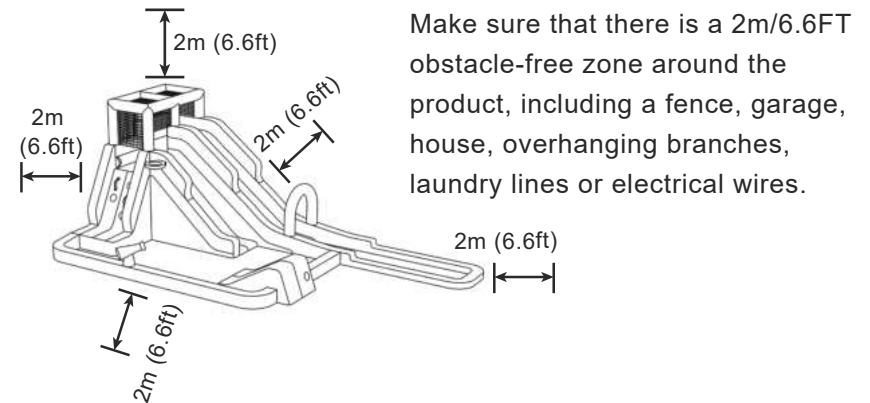
- ATTENTION: Blower should remain on and continuously inflate Water Park during use. Air flow through seams is normal

- Do not use the product if wind speed exceeds 30 km/h(18.6 mph).

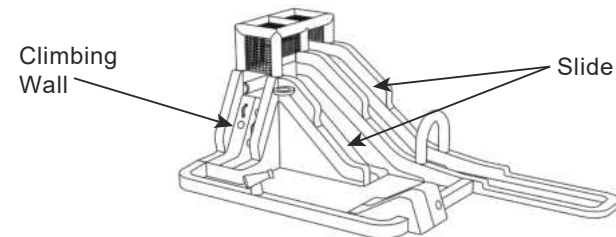
- Do not consume food, drink and gum on this product.

Minimum Clearance Zones

MINIMUM CLEARANCE ZONES



Water Park Placement



Designate a flat, level surface that allows for 2m/6.6FT of minimum clearance around the Water park.

NOTE: DO NOT place the Bouncer with slide on a hard surface like asphalt, concrete or packed earth as both serious bodily injury and damage to the

Water park with could result.

ASSEMBLY AREAS

- Make sure the assembly area is flat and level and is free of rocks, sharp objects or other obstructions.
- Do not set up the Water park on a slope or in line.
- Do not set up the Water park on hard-packed earth, asphalt, decking or any hard surface as doing so may result in physical injury and/or damage to the Water park.
- Once the Water park is inflated or filled with water, do not attempt to drag it to another location.
- Check your local county or city regulations for requirements on securing the pool.
- Secure the pool from unauthorized use.

SAFETY WARNINGS:

FALURE TO FOLLOW THESE INSTRUCTIONS COULD RESULT IN SERIOUS INJURY OR DEATH.



Maximum number of children:3



Age



Total weight limit on slide and pool: 350 lbs/159 kg



Maximum individual height: 5Ft(152cm)



Adult supervision required. Do not leave children unattended.



No sharp objects.



No shoes, no glasses.



No flipping.



Do not slide head first.



No wrestling.



Individual weight limit: 117 lbs/53 kg



No hands or feet on net.



Do not use in windy conditions.



Do not leave out in rain.



Do not allow children to touch fan or electrical cord.



Must be anchored using stakes.

- Constant, competent adult supervision of children and other young users is required at all times.
- Keep the area around the product clean, and clear of objects, to prevent slips and falls.
- Instruct children on proper use of this product. Do not use in a manner other than intended.
- Helmets, headgear, shoes, glasses, loose clothing, scarves, hoods, or clothing containing drawstrings should not be worn when using this product.
- Do not allow other toys or objects inside the product.

- Instruct children not to attach items to the product that are not specifically designed for use with the equipment, such as but not limited to, jump ropes, clothesline, pet leashes, cables and chains as they may cause a strangulation hazard.
- Keep pets away from product.
- Bounce away from others and stay away from side walls, especially the opening.
- Do not jump onto or off of product.
- Do not allow children to play together who are unevenly matched in weight and height.
- The Maximum fall height of the inflatable device is 142cm/4.65FT.
- Thoroughly dry before use.
- Total weight of children must not exceed 159kg/350lbs on slide and pool.
- Only one child at a time is allowed on each slide and climber.
- Children must not slide down head first on their stomach.
- Do not let children walk on the side where blower motor is attached.
- Always dry product before storage.
- Never use product as a floatation or life saving device.
- Children can drown in very small amounts of water. Empty the pool when not in use.
- Do not install the paddling pool over concrete, asphalt or any other hard surface.
- Always check product and all its anchorage points during use, and re-secure, as appropriate. Always check for excessive air loss, and re-inflate before allowing play to continue.

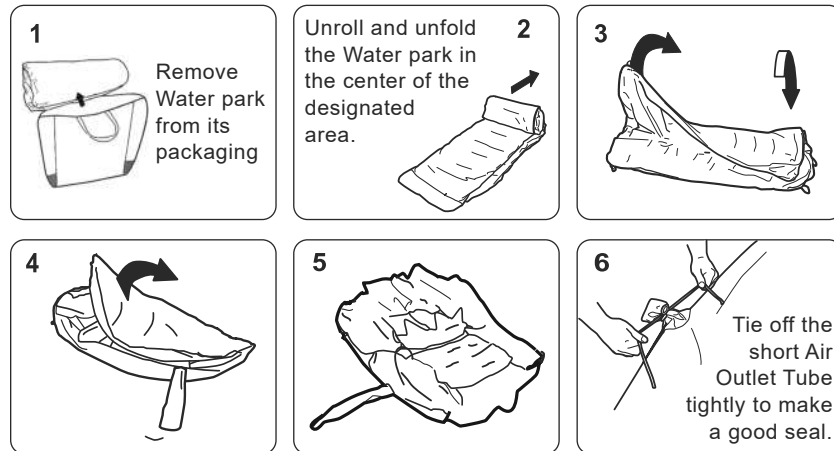
- As an outdoor product, this inflatable is subject to wear and deterioration.
- Keep product properly maintained and watch for signs of fabric failure.
- Weak or torn surfaces must be repaired promptly.
- If product contains a pool:
 - Never dive or jump into the pool area.
 - Do not sit on the edges of the pool as flooding may occur.
 - Always drain product after use. Do not leave it inflated or full of water overnight.
 - Keep the pool area clean to prevent illness. Instruct all children never to drink pool water and to practice good hygiene.
 - Before and during use, check for air loss. Check blower is properly connected.
 - Always check the product and all its anchorage points before and during use, and to re-secure as appropriate.
 - If applicable, remove water and debris from pocket steps after each play cycle.
 - After inflation, the blower should run continuously while children are playing.
 - Prior to deflating, remove all children.
 - Always deflate product after use, and store indoors.

The product should be periodically examined for potential unsafe conditions such as: damaged cord, plug, housing, or parts, and that in the event such damage is found, the product should not be used until properly repaired.

Never leave the fan outside in the rain or elements when not in use. Refer to the instructions for set-up, storage, maintenance and care.

- Product can be installed in any orientation in relation to the sun, since there are no metal components or surfaces that can absorb excessive solar radiation.
- To change the water of paddling pools frequently (particularly in hot weather) or when noticeably contaminated.

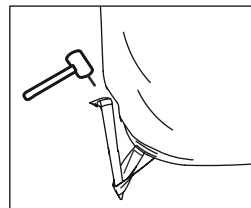
Set Up



INFLATION&STAKING

Secure the Water park to the ground with the provided stakes.

To prevent tripping, pull the stake loops all the way out, then drive stakes completely into the ground.



Playing in the Water park

NOTE: It is normal to see air bubbles rising from the pool floor and other wet areas of the Bouncer with Slide.

SLIDING

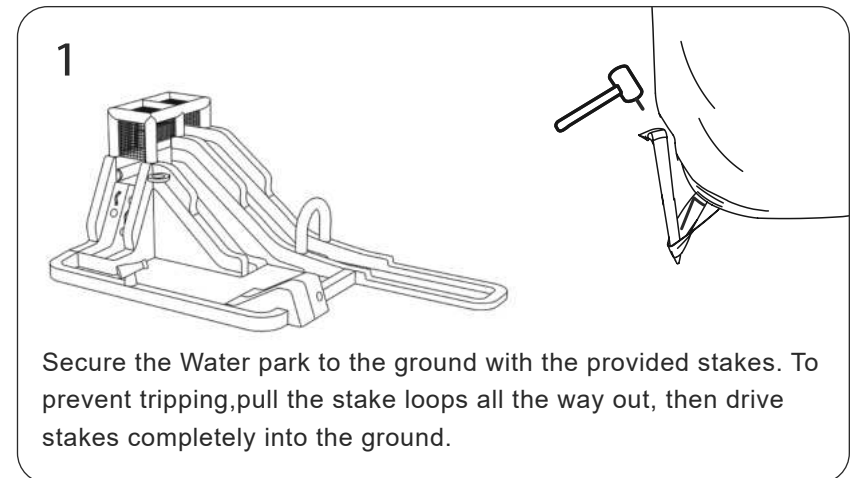
1. Climb up the climbing wall to the top of the slide.
2. Sit on the top with our feet pointing down the slide.
3. Scoot forward and slide down into the splashdown area.
4. DO NOT slide down on your stomach or head first.
5. Do not face the sun when sliding.

Staking the Water park

⚠ CAUTIONS

The Water park and all its anchorage points should be checked before and during use.

Reinflate or re-secure as appropriate. DO NOT let children play on the water park until it is fully inflated!



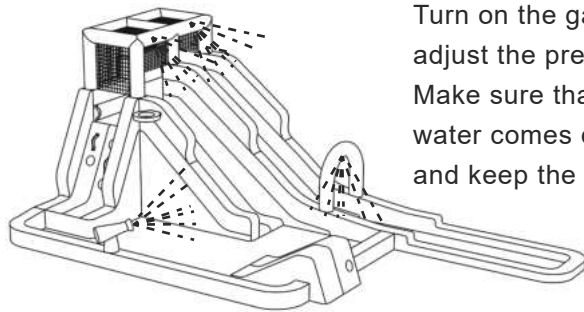
⚠️ WATER PARK CAUTIONS:

Drive ground stakes completely into the ground to avoid tripping hazard.

Do not use the Water slide until an Adult has assembled, staked down, and fully inflated.

Do not set up or inflate the Water park in windy and/or rainy conditions as wind gusts may cause the park to become unstable and possibly be lifted from the ground.

Water Park Spray Assembly



Turn on the garden hose and adjust the pressure as desired. Make sure that a steady spray of water comes out of the sprayer and keep the slides wet.

⚠️ CAUTIONS

- Children can drown in a very small amount of water. Empty the pool when not in use.

- To avoid the risk of injury, ALWAYS slide down the slide with feet first.

NEVER slide down on your stomach or head first.

- Only one child should be on the slide and climb at one time.
- Total weight of children must not exceed 350lbs/159kg (max.individual weight=117lbs/53kg) on inflated surface.

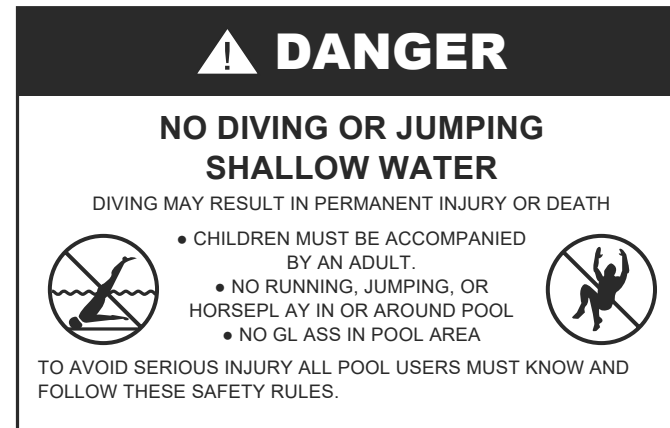
- NEVER slide down the slide until the splashdown area is clear.
- NEVER slide or jump down the climbing wall.

Water Warnings

IMPORTANT

To avoid serious injury or death, heed all warning signs that are printed on the Water park.

These signs are shown below:





WARNING

BE CAREFUL! SOME OF THE WATER PARK SURFACES ARE SLIPPERY AND MAY PRESENT A TRIPPING HAZARD.

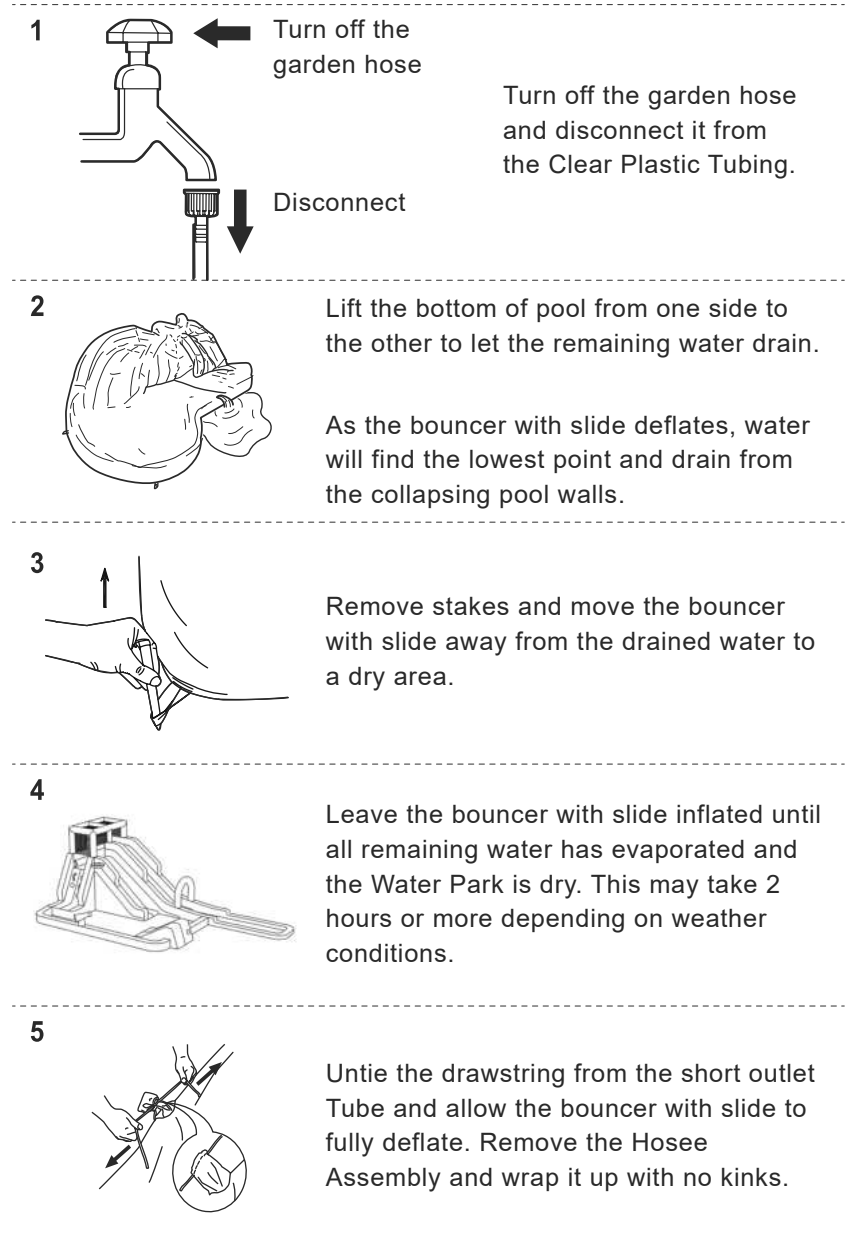
Draining & Deflation

IMPORTANT- Inflatable Bouncer with Slide MUST be drained of all water and be COMPLETELY DRY before storage in order to avoid mold and mildew.

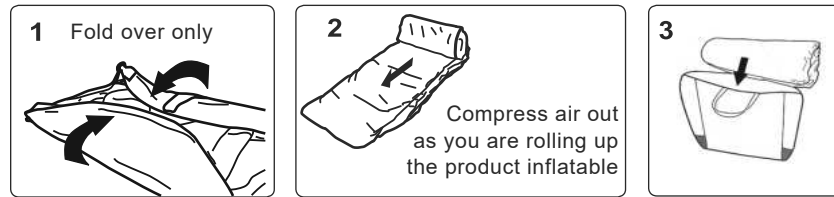
DO NOT fold and store Bouncer with Slide if any moisture remains.

IMPORTANT- All children MUST EXIT the Bouncer with Slide before deflation or draining water.

IMPORTANT- For best results, 2-4 people should drain and move the Bouncer with Slide.



STORAGE



REPAIR PATCH INSTRUCTIONS

⚠ WARNING!

Repair patches must be applied by an adult only.
KEEP OUT OF REACH OF CHILDREN.

INSTRUCTION:

1. Deflate the item, clean the area and allow to dry thoroughly.
2. Cut a portion of the patch to the size needed and round the corners. (See Fig).
3. Remove the adhesive backing from the patch material, position the patch over the damaged area and smooth out any bubbles.
4. Allow to sit for 30 minutes before re-inflating.

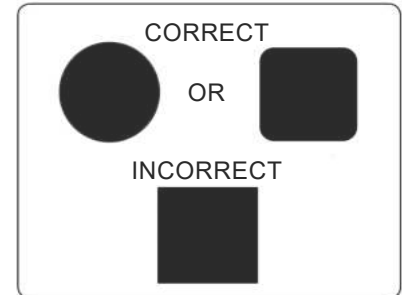
INSTRUCTIONS FOR WATER PARK MAINTENANCE

As an outdoor product, the water park is subject to wear and deterioration.

Inspect for signs of fabric failure; weak or torn surfaces must be repaired promptly.

- To keep the product clean: wipe the water park or blower using a dry cloth or a cloth dampened with a neutral, non-inflammable, nontoxic cleaning and sanitizing solution or pure water.

- Product should never be stored wet. Allow to dry before rolling up.



DISPOSAL

- Disassemble and dispose of the equipment in such a manner that no hazardous conditions exist at the time the equipment is discarded.
- Blower should be returned to a collection center

INSTRUCTIONS FOR BLOWER MAINTENANCE

- Blower must be unplugged before servicing.
- If the supply cord is damaged, it must be replaced by qualified persons in order to avoid a hazard
- Product should be periodically examined for potential unsafe conditions such as damaged cord, plug, housing, or parts, and that in the even such damage is found, the product should not be used until properly repaired. If these checks are not carried out, the product could overturn or otherwise become a hazard.
- The blower does not require any lubrication and has no user serviceable parts. Do not attempt to service the blower.

- Do not immerse the blower in water. To clean, wipe with a damp cloth.
- Regularly check the intake and output openings and keep free of dirt, leaves, etc.
- When not in use, store the blower indoors in a dry place.
- Store the blower upright on a stable surface.
- Loosely coil the cord and place it beside the blower.
- When in use, do not place the cord across traffic areas, water or damp areas.
- The blower is a high volume blower, and is capable of moving large volumes of air very quickly. Place the blower in an area where it will not draw in dirt or leaves.

'Let's care for the environment!'

The wheelee bin symbol indicates that the product must not be disposed of with other household waste. Please use designated collection points or recycling facilities when disposing of the item.



Please keep this manual as it contains important information.

DE



Bevor Sie beginnen

Bitte sorgfältig lesen und zum späteren Nachschlagen aufbewahren.

Warnung

Achtung! Nur für den Hausgebrauch.

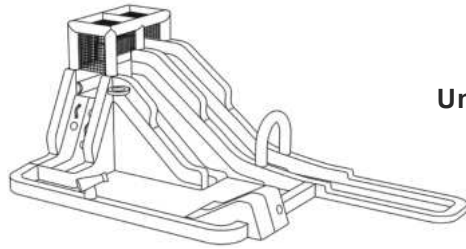
Warnung: Kinder sollten diesen Artikel unter elterlicher Aufsicht benutzen.

Warnung: Halten Sie alle Kleinteile und Verpackungsmaterialien, die verschluckt werden können, von Babys und Kindern fern.

Warnung: Unsachgemäße Montage kann zu Kippgefahr führen.

Allgemeine Warnhinweise

- ⚠ Der Artikel muss unter der Aufsicht eines Erwachsenen montiert und benutzt werden.
- ⚠ Lesen Sie jeden Schritt sorgfältig durch und befolgen Sie die richtige Reihenfolge.
- ⚠ Entfernen Sie alle Verpackungen, Überprüfen Sie, ob alle Teile und Zubehörteile vorhanden sind.
- ⚠ Bitte stellen Sie sicher, dass alle Teile richtig montiert sind, eine falsche Montage kann zu einer Gefahr führen.
- ⚠ Wir empfehlen, alle Teile möglichst in der Nähe des Aufstellungsortes zu montieren, um unnötige Bewegungen nach der Montage zu vermeiden.
- ⚠ Achten Sie bei der Montage auf einen sicheren Untergrund und stellen Sie den Artikel immer auf eine ebene, feste und stabile Fläche.
- ⚠ Bitte überprüfen und warten Sie regelmäßig die wichtigsten Teile zur Aufhängung, Befestigung, Verankerung am Boden.



Aufblasbarer Wasserpark
Alter: 3-10 Jahre
Ungefähre Größe aufgeblasen
627*330*232cm

WARNUNG

DIE NICHTBEACHTUNG DIESER ANWEISUNGEN KANN ZU SCHWEREN VERLETZUNGEN ODER TOD FÜHREN.

Verwenden Sie keine Verlängerungskabel mit diesem Produkt.

Nur im Freien verwenden.

Lesen Sie alle Anweisungen, bevor Sie dieses aufblasbare Gerät zusammenbauen.

Bewahren Sie die Anleitung zur späteren Verwendung auf.

DIE BENUTZER MÜSSEN DARAUF ACHTEN, DASS DIE HÜPFBURG IN BEZUG AUF DIE SONNE AUSGERICHTET IST.

Die Oberfläche der Rutsche sollte nicht der Sonne zugewandt sein, da die Kinder bei der Benutzung des Produkts von der Sonne geblendet werden könnten.

Bei Kindern (insbesondere bei Kleinkindern) besteht ein hohes Risiko des Ertrinkens. Beobachten Sie Kinder in oder in der Nähe dieses aufblasbaren Geräts genau. Entleeren Sie das aufblasbare Gerät und verhindern Sie den Zugang, wenn es nicht benutzt wird.

Ertrinkungsgefahr:

- Verhindern Sie, dass unbeaufsichtigte Kinder den Pool betreten, indem Sie

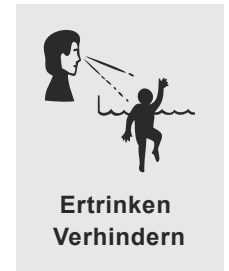
Zaun oder eine andere zugelassene Barriere um alle Seiten des Wasserparks.

- Staatliche oder lokale Gesetze oder Vorschriften können eine Umzäunung oder andere zugelassenen Barrieren. Prüfen Sie die staatlichen oder örtlichen Gesetze und Vorschriften, bevor Sie dem Aufstellen des Wasserparks.

- Ertrinken geschieht lautlos und schnell. Beauftragen Sie einen Erwachsenen mit der den Wasserpark zu beaufsichtigen.

- Halten Sie die Kinder in Ihrer direkten Sichtweite, wenn sie sich im oder in der Nähe des Wasserpark sind und wenn Sie den Wasserpark füllen und leeren Wasserpark.

- Suchen Sie bei der Suche nach einem vermissten Kind zuerst das Schwimmbecken ab, auch wenn Sie glauben, dass Ihr Kind im Haus ist.



Erste Hilfe:

- Halten Sie ein funktionierendes Telefon und eine Liste mit Notrufnummern in der Nähe dem Wasserpark.

- Lassen Sie sich in Herz-Lungen-Wiederbelebung (CPR) zertifizieren, damit Sie im Notfall reagieren können.

TEILELISTE



(A) x1
Wasserpark



(B) x1
Schlauch-
Montagesatz



(C) x1
Tragetasche



(D) x8
Wasserpark
Pfähle



(E) x4
Reparatur-
Flicken



(F) x2
Schwimmende
Ringe



(G) x1
PVC-Ball

! SICHERHEITSHINWEISE: AUFSTELLUNG

BEAUFSICHTIGUNG DURCH EINEN ERWACHSENEN UND AUFBAU ERFORDERLICH. Dieses Produkt sollte nur von einem kompetenten Erwachsenen aufgepumpt oder entleert werden. Befolgen Sie alle Anweisungen mitgelieferten Anweisungen.

WARNUNG! Stürze auf harte Oberflächen können zu Kopf- oder anderen schweren Verletzungen führen.

Stellen Sie das Gerät niemals auf Beton, Asphalt, Holz, verdichtete Erde oder andere harte Oberflächen.

Teppiche auf harten Böden können Verletzungen nicht verhindern.

! WARNUNG!

- Nur für den Hausgebrauch. Nur für den Hausgebrauch im Freien bestimmt.
- Nicht für den Gebrauch in öffentlichen Bereichen oder als Verleih.
- Das Produkt ist schwer. Seien Sie beim Anheben vorsichtig.
- Das Produkt darf nicht über Beton, Pflaster oder andere raue Oberflächen geschleift werden.

! WARNUNG!

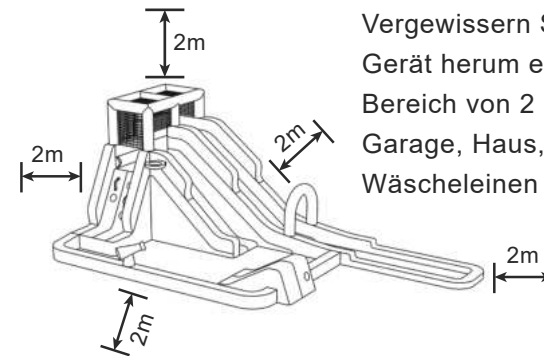
- Von Feuer fernhalten. Halten Sie den Stoff von allen Flammen und Zündquellen fern.
- Nicht bei Wind oder Regen aufstellen: Plötzliche Windböen können das das Produkt vom vom Boden abheben.
- Das Produkt kann in jeder beliebigen Ausrichtung zur Sonne aufgestellt werden, da es keine Metall Metallteile oder Oberflächen gibt, die übermäßige Sonneneinstrahlung absorbieren können.
- Stellen Sie das Gerät nur an einem Standort im Freien auf, der die folgenden Kriterien erfüllt:
 - Stellen Sie das Gerät auf ebenem Boden und festem Gras oder Boden auf, damit die Pfähle richtig eingesetzt werden können.
 - Das Aufstellen auf schrägen oder unebenen Flächen kann zum Umkippen des Produkts führen.
 - Die Pfähle sollten für eine bessere Verankerung schräg gestellt werden und unter den Boden getrieben werden, um Stolperfallen zu vermeiden.
 - Mindestabstände: Mindestens 2m von anderen Objekten entfernt aufstellen.
 - Zu den zu vermeidenden Objekten gehören unter anderem Zäune, Gebäude, Bäume, überhängende Äste, Wäscheleinen,

elektrische Leitungen, Wände oder Gewässer oder Quellen Wasserquellen.

- Stellen Sie sicher, dass der Bereich um das Produkt herum durch zusätzliche Sicherheitsbarrieren gesichert ist, falls erforderlich, um den Zugang von kleinen Kindern und Haustieren zu verhindern.
 - Das Stromkabel darf nicht unter den luftgefüllten Geräten (aufblasbare Hüpfburg mit Rutsche) hindurchgeführt werden. Hüpfburg mit Rutsche) verlaufen und den Betrieb beeinträchtigen.
 - Die Hüpfburg mit Rutsche wird durch ein Gebläse (Luftpumpe) betrieben, um den Druck aufrechtzuerhalten und darf nur von einem Erwachsenen benutzt werden.
 - Zum Aufpumpen darf nur das mitgelieferte Gebläse verwendet werden.
 - Verwenden Sie keine Verlängerungskabel mit diesem Produkt. Stellen Sie es so nah wie möglich an der Stromquelle wie möglich auf. Das Gebläse sollte vor dem Gebrauch sicher im Boden verankert werden.
 - VORSICHT: Das Gebläse ist in der Lage, große Luftmengen sehr schnell bewegen. Stellen Sie das Gebläse an einem Ort auf, an dem es keinen Schmutz oder Laub ansaugt.
- Halten Sie das Gebläse und das Netzkabel von Kindern, Wasser und Verkehr fern.
- ACHTUNG: Das Gebläse sollte eingeschaltet bleiben und den Water Park kontinuierlich aufblasen während der Benutzung. Ein Luftstrom durch die Nähte ist normal.
 - Benutzen Sie das Produkt nicht, wenn die Windgeschwindigkeit 30km/h überschreitet.
 - Nehmen Sie keine Speisen, Getränke oder Kaugummis auf diesem Produkt zu sich.

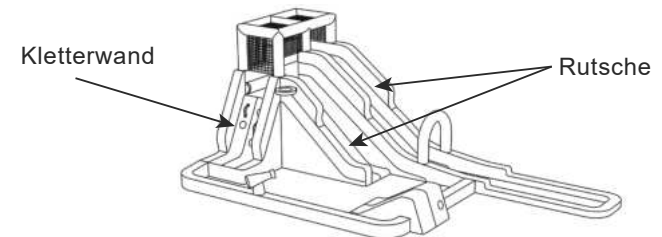
Mindestabstandszonen

Mindestabstandszonen



Vergewissern Sie sich, dass um das Gerät herum ein hindernisfreier Bereich von 2 m besteht, Zaun, Garage, Haus, überhängende Äste, Wäscheleinen oder elektrische Drähte.

Wasserpark-Platzierung



Bestimmen Sie eine flache, ebene Fläche, die einen Mindestabstand von 2m Freiraum um den Wasserpark herum.

HINWEIS: Stellen Sie den Bouncer mit Rutsche NICHT auf eine harte Oberfläche wie Asphalt, Beton oder gepackter Erde aufstellen, da dies sowohl zu schweren Verletzungen als auch zu Schäden am Wasserpark führen können.

MONTAGEBEREICHE

- Stellen Sie sicher, dass der Montagebereich flach und eben ist und keine Steine, scharfe spitzen Gegenständen oder anderen Hindernissen.
- Stellen Sie den Wasserpark nicht an einem Hang oder in einer Reihe auf.
- Stellen Sie den Wasserpark nicht auf festem Boden, Asphalt, Terrassen oder harten Untergrund auf, da dies zu Verletzungen und/oder Schäden am Wasserpark führen kann.
- Sobald der Wasserpark aufgeblasen oder mit Wasser gefüllt ist, versuchen Sie nicht, ihn an einen anderen Ort zu ziehen.
- Erkundigen Sie sich bei Ihrer Gemeinde oder Stadt nach den Vorschriften für die Sicherung des Pools.
- Sichern Sie das Schwimmbecken vor unbefugter Benutzung.

SICHERHEITSHINWEISE:

DIE NICHTBEACHTUNG DIESER ANWEISUNGEN KANN ZU SCHWEREN VERLETZUNGEN ODER ZUM TOD FÜHREN.



Maximale Anzahl von Kindern: 3



Alter



Gesamtgewichtsgrenze auf Rutsche und Pool: 159 kg



Maximale individuelle Höhe: 152 cm



Beaufsichtigung durch Erwachsene erforderlich. Lassen Sie Kinder nicht unbeaufsichtigt.



Keine scharfen Gegenstände.



Keine Schuhe, keine Brille.



Nicht umdrehen.



Rutschen Sie nicht mit dem Kopf voran.



Kein Wrestling.



Individuelles Gewichtslimit: 53 kg



Keine Hände oder Füße im Netz.



Nicht unter windigen Bedingungen verwenden.



Nicht im Regen stehen lassen.



Erlauben Sie Kindern nicht, den Ventilator oder das Stromkabel zu berühren.



Muss mit Pflöcken verankert werden.

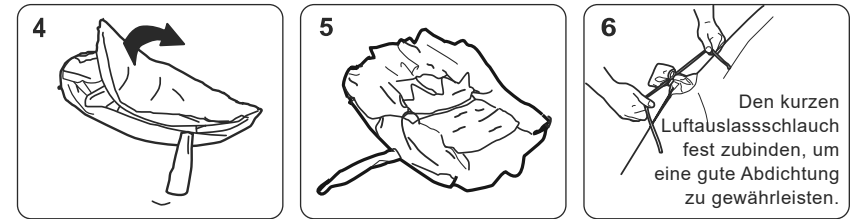
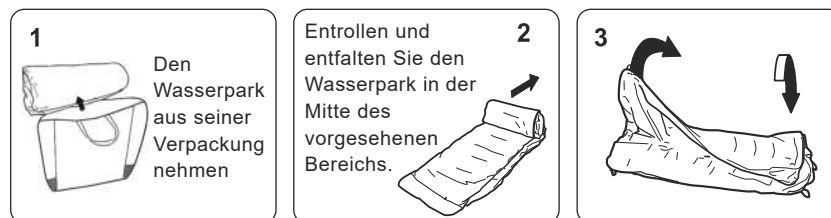
- Kinder und andere jugendliche Nutzer müssen jederzeit von kompetenten Erwachsenen beaufsichtigt werden.
- Halten Sie den Bereich um das Produkt sauber und frei von Gegenständen, um Ausrutschen und Stürzen zu verhindern.
- Weisen Sie Kinder in den richtigen Gebrauch dieses Produkts ein. Benutzen Sie es nicht auf anders als vorgesehen.

- Helme, Kopfbedeckungen, Schuhe, Brillen, lose Kleidung, Schals, Kapuzen oder Kleidung mit Kordelzügen sollten bei der Verwendung dieses Produkts nicht getragen werden.
- Lassen Sie keine anderen Spielzeuge oder Gegenstände in das Innere des Produkts.
- Weisen Sie Kinder an, keine Gegenstände am Gerät zu befestigen, die nicht speziell für die die nicht speziell für die Verwendung mit dem Gerät vorgesehen sind, wie z. B. Springseile, Wäscheleinen, Leinen für Haustiere, Kabel und Ketten, da sie eine Strangulationsgefahr darstellen Gefahr darstellen.
- Halten Sie Haustiere von dem Gerät fern.
- Springen Sie von anderen Personen weg und halten Sie sich von den Seitenwänden fern, insbesondere von der Öffnung.
- Springen Sie nicht auf oder von dem Gerät.
- Lassen Sie Kinder mit ungleichem Gewicht und ungleicher Größe nicht zusammen spielen und Größe.
- Die maximale Fallhöhe des aufblasbaren Geräts beträgt 142cm.
- Vor dem Gebrauch gründlich abtrocknen.
- Das Gesamtgewicht der Kinder darf 159kg auf der Rutsche und im Pool nicht überschreiten.
- Auf jeder Rutsche und jedem Klettergerüst darf sich jeweils nur ein Kind aufhalten.
- Kinder dürfen nicht mit dem Kopf voran auf dem Bauch hinunterrutschen.
- Lassen Sie Kinder nicht auf der Seite laufen, an der der Gebläsemotor befestigt ist.
- Trocknen Sie das Produkt vor der Lagerung immer ab.
- Verwenden Sie das Produkt niemals als Schwimm- oder Rettungsgerät.

- Kinder können schon in sehr kleinen Wassermengen ertrinken. Entleeren Sie den Pool, wenn nicht in Gebrauch ist.
- Stellen Sie das Planschbecken nicht auf Beton, Asphalt oder einer anderen harten Oberfläche.
- Überprüfen Sie das Produkt und alle Verankerungspunkte während des Gebrauchs immer und sichern Sie es gegebenenfalls nach. Prüfen Sie stets auf übermäßigen Luftverlust und pumpen Sie das Wasser wieder auf bevor Sie das Spiel fortsetzen.
- Da es sich um ein Outdoor-Produkt handelt, unterliegt diese Hüpfburg dem Verschleiß und der Abnutzung.
- Halten Sie das Produkt in gutem Zustand und achten Sie auf Anzeichen von Stoffversagen.
- Schwache oder gerissene Oberflächen müssen umgehend repariert werden.
- Wenn das Produkt einen Pool enthält:
- Tauchen oder springen Sie niemals in den Poolbereich.
- Setzen Sie sich nicht auf den Rand des Schwimmbeckens, da es zu Überschwemmungen kommen kann.
- Entleeren Sie das Produkt nach dem Gebrauch immer. Lassen Sie es nicht aufgeblasen oder mit Wasser gefüllt über Nacht.
- Halten Sie den Poolbereich sauber, um Krankheiten zu vermeiden. Weisen Sie alle Kinder an, niemals Poolwasser zu trinken und auf gute Hygiene zu achten.
- Prüfen Sie vor und während der Benutzung, ob Luft verloren geht. Prüfen Sie, ob das Gebläse richtig angeschlossen ist.
- Überprüfen Sie vor und während des Gebrauchs immer das Produkt und alle Verankerungspunkte und während des Gebrauchs zu überprüfen und gegebenenfalls neu zu befestigen.

- Falls zutreffend, entfernen Sie nach jedem Spielzyklus Wasser und Schmutz von den Taschenstufen.
- Nach dem Aufblasen sollte das Gebläse kontinuierlich laufen, während die Kinder spielen.
- Vor dem Ablassen der Luft müssen alle Kinder entfernt werden.
- Lassen Sie nach dem Gebrauch immer die Luft aus dem Gerät und lagern Sie es in einem geschlossenen Raum. Das Gerät sollte regelmäßig auf mögliche Sicherheitsmängel untersucht werden, wie z. B.: beschädigte Kabel, Stecker, Gehäuse oder Teile, und falls solche Schäden festgestellt werden, sollte das Gerät bis zur ordnungsgemäßen Reparatur nicht verwendet werden. Lassen Sie das Gebläse niemals im Regen oder in der Sonne stehen, wenn es nicht benutzt wird. Beachten Sie die Anweisungen für Aufstellung, Lagerung, Wartung und Pflege.
- Das Produkt kann in jeder beliebigen Ausrichtung zur Sonne installiert werden, da es keine Metallteile oder Oberflächen gibt, die übermäßige Sonnenstrahlung absorbieren könnten.
- Das Wasser von Planschbecken häufig zu wechseln (besonders bei heißem Wetter) oder bei deutlicher Verschmutzung.

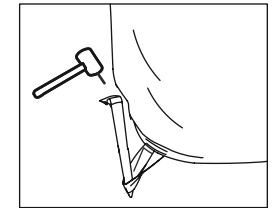
Einrichten



AUFBLASEN & BEFESTIGEN

Befestigen Sie den Wasserpark mit den mitgelieferten Pflöcken.

Um Stolperfallen zu vermeiden, ziehen Sie die Schlaufen der Pflöcke ganz heraus und schlagen Sie die Pflöcke vollständig in den Boden ein.



Spielen im Wasserpark

HINWEIS: Es ist normal, dass Luftblasen vom Beckenboden und anderen nassen Bereichen des Wasserparks aufsteigen.

SCHIEBEN

1. Klettern Sie an der Kletterwand bis zum oberen Ende der Rutsche.
2. Setze dich oben auf die Rutsche, so dass die Füße nach unten zeigen.
3. Rutsche nach vorne und rutsche in den Wasserbereich hinunter.
4. Rutschen Sie NICHT auf dem Bauch oder mit dem Kopf zuerst hinunter.
5. Schauen Sie beim Rutschen nicht in die Sonne.

Abstecken des Wasserparks

⚠ VORSICHT

Der Wasserpark und alle seine Verankerungspunkte sollten vor und während der Benutzung überprüft werden. und während der Benutzung überprüft werden.

Füllen Sie die Luft wieder auf oder befestigen Sie sie erneut, falls erforderlich. Lassen Sie Kinder **NICHT** auf dem Wasserpark spielen, bevor bis er vollständig aufgeblasen ist!



⚠ VORSICHTSMASSNAHMEN FÜR DEN WASSERPAK:

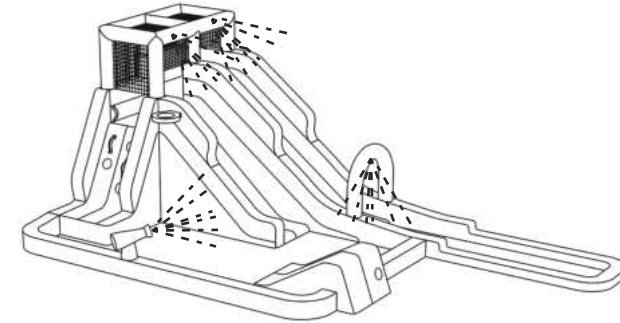
Schlagen Sie die Erdnägel vollständig in den Boden, um Stolperfallen zu Gefahr.

Benutzen Sie die Wasserrutsche nicht, bevor ein Erwachsener die Rutsche aufgebaut, abgesteckt und vollständig aufgeblasen ist. Bauen Sie den Wasserpark nicht bei Wind und Regen auf, da Windböen dazu führen können der Park instabil werden und möglicherweise vom Boden abgehoben werden.

Wasserpark Sprühvorrichtung

Schalten Sie den Gartenschlauch ein und stellen Sie den Druck wie gewünscht ein.

Achten Sie darauf, dass ein gleichmäßiger Wasserstrahl aus der Spritze kommt und halten Sie die Objektträger nass.



⚠ VORSICHTEN

- Kinder können schon in einer sehr geringen Wassermenge ertrinken. Entleeren Sie den Pool, wenn nicht benutzt wird.
- Um die Verletzungsgefahr zu vermeiden, rutschen Sie die Rutsche **IMMER** mit den Füßen zuerst hinunter. Rutschen Sie **NIEMALS** auf dem Bauch oder mit dem Kopf zuerst hinunter.
- Es darf sich immer nur ein Kind gleichzeitig auf der Rutsche befinden und klettern.
- Das Gesamtgewicht der Kinder darf auf der aufgeblasenen Rutsche 159 kg nicht überschreiten (max. Einzelgewicht =53kg) auf der aufgeblasenen Oberfläche.
- Rutschen Sie **NIEMALS** die Rutsche hinunter, bevor der Spritzwasserbereich nicht frei ist.
- Rutschen oder springen Sie **NIEMALS** die Kletterwand hinunter.

Wasserwarnungen

WICHTIG

Um schwere oder tödliche Verletzungen zu vermeiden, beachten Sie alle Warnschilder, die auf dem Wasserpark aufgedruckt sind. Diese Schilder sind unten abgebildet:

GEFAHR

**KEIN TAUCHEN ODER SPRINGEN
IM FLACHEN WASSER**

TAUCHEN KANN ZU DAUERHAFTEN VERLETZUNGEN ODER ZUM TOD FÜHREN

- KINDER MÜSSEN VON EINEM ERWACHSENEN BEGLEITET WERDEN.
- KEIN LAUFEN, SPRINGEN ODER HERUMTOLLEN IM ODER AM SCHWIMMBECKEN
- KEIN GLAS IM SCHWIMMBADBEBEREICH

UM SCHWERE VERLETZUNGEN ZU VERMEIDEN, MÜSSEN ALLE SCHWIMMBADBENUTZER DIESE SICHERHEITSREGELN KENNEN UND BEFOLGEN.



a) Obligatorische
Maßnahme Piktogramm

b) Verbots-Piktogramm

Warnung: Lassen Sie Ihr Kind niemals unbeaufsichtigt
- Gefahr des Ertrinkens

WARNUNG

VORSICHTSMASSNAHMEN! EINIGE DER WASSERFLÄCHEN OBERFLÄCHEN DES WASSERPARKS SIND RUTSCHIG UND KÖNNEN EINE STOLPERFALLE DARSTELLEN.

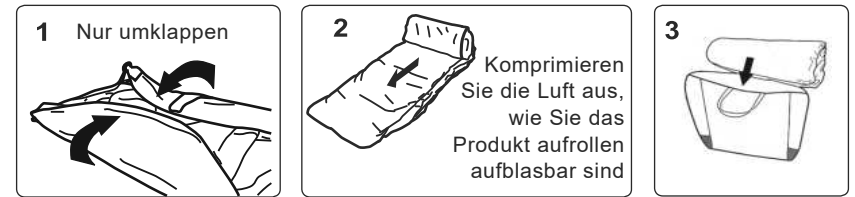
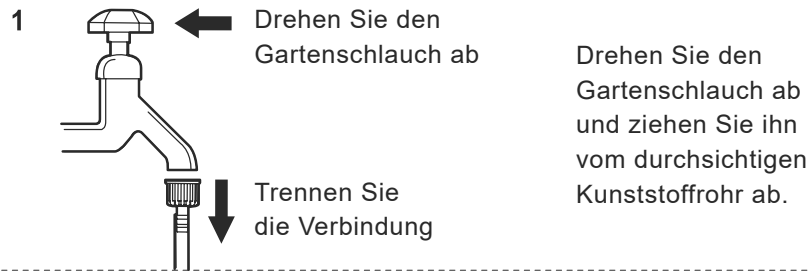
Entleerung & Deflation

WICHTIG - Die aufblasbare Hüpfburg mit Rutsche MUSS vor der Lagerung vollständig trocken sein, um Schimmel und Mehltau zu vermeiden.

Falten und lagern Sie die Hüpfburg mit Rutsche **NICHT**, wenn noch Feuchtigkeit vorhanden ist.

WICHTIG - Alle Kinder MÜSSEN die Hüpfburg mit Rutsche verlassen, bevor die Luft abgelassen oder das Wasser abgelassen wird.

WICHTIG - Um die besten Ergebnisse zu erzielen, sollten 2-4 Personen die Hüpfburg mit Rutsche entleeren und bewegen.



ANWEISUNGEN FÜR REPARATURPFLASTER

⚠️ WARNUNG!

Reparaturpflaster dürfen nur von einem Erwachsenen angebracht werden.

AUSSERHALB DER REICHWEITE VON KINDERN AUFBEWAHREN.

ANLEITUNG:

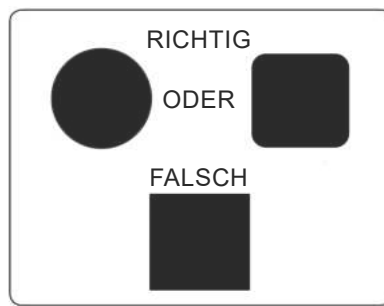
1. Lassen Sie die Luft aus dem Artikel, reinigen Sie die Stelle und lassen Sie sie gründlich trocknen.
2. Schneiden Sie einen Teil des Pflasters auf die benötigte Größe zu und runden Sie die Ecken ab. (Siehe Abb.).
3. Entfernen Sie die Klebeschicht vom Flickmaterial, legen Sie den Flicker auf die beschädigte Stelle und glätten Sie eventuelle Blasen.
4. Lassen Sie das Pflaster 30 Minuten lang einwirken, bevor Sie es wieder aufblasen.

ANWEISUNGEN FÜR DIE WARTUNG DES WASSERPARKS

- Da es sich um ein Produkt für den Außenbereich handelt, unterliegt der Wasserpark dem Verschleiß und der Abnutzung. Untersuchen Sie auf Anzeichen von Gewebebruch; schwache oder gerissene Oberflächen müssen umgehend repariert werden.

- So halten Sie das Produkt sauber: Wischen Sie den Wasserpark oder das Gebläse mit einem trockenen Tuch oder einem Tuch mit einer neutralen, nicht entflammaren, ungiftigen Reinigungs- und Desinfektionslösung oder mit reinem Wasser ab.

- Das Produkt sollte niemals nass gelagert werden. Lassen Sie es vor dem Aufrollen trocknen.



ENTSORGUNG

- Demontieren und entsorgen Sie das Gerät so, dass zum Zeitpunkt der Entsorgung keine gefährlichen Bedingungen bestehen.
- Das Gebläse sollte bei einer Sammelstelle abgegeben werden.

ANWEISUNGEN FÜR DIE WARTUNG DES GEBLÄSES

- Das Gebläse muss vor der Wartung vom Stromnetz getrennt werden.
- Wenn das Netzkabel beschädigt ist, muss es von qualifizierten Personen ersetzt werden, um Gefahren zu vermeiden.

- Das Produkt sollte in regelmäßigen Abständen auf mögliche auf mögliche Sicherheitsmängel wie beschädigte Kabel, Stecker, Gehäuse oder Teile, und dass das Produkt, falls ein solcher Schaden festgestellt wird, nicht bis zur ordnungsgemäßen Reparatur nicht verwendet werden. Wenn diese Kontrollen nicht durchgeführt werden, kann das Produkt umstürzen oder anderweitig zu einer Gefahr werden.

- Das Gebläse muss nicht geschmiert werden und hat keine vom Benutzer zu wartenden Teile. Versuchen Sie nicht, das Gebläse zu warten.

- Tauchen Sie das Gebläse nicht in Wasser ein. Zum Reinigen mit einem feuchten Tuch abwischen.

- Überprüfen Sie regelmäßig die Ansaug- und Ausblasöffnungen und halten Sie sie frei von Schmutz, Blättern usw.

- Lagern Sie das Gebläse bei Nichtgebrauch in einem trockenen Raum.

- Lagern Sie das Gebläse aufrecht auf einer stabilen Unterlage.

- Wickeln Sie das Kabel locker auf und legen Sie es neben das Gebläse.

- Legen Sie das Kabel während des Gebrauchs nicht über Verkehrsflächen, Wasser oder feuchte Bereiche.

- Das Gebläse ist ein Hochleistungsgebläse, das sehr schnell große Luftmengen bewegen kann. Stellen Sie das Gebläse an einem Ort auf, an dem es keinen Schmutz oder Laub ansaugt.

Wir wollen die Umwelt schonen!

Das Symbol der Mülltonne weist darauf hin, dass das Produkt nicht über den Hausmüll entsorgt werden darf. Bitte nutzen Sie für die Entsorgung des Geräts die dafür vorgesehenen Sammelstellen oder Recyclingeinrichtungen.



Bitte bewahren Sie diese Anleitung auf, da sie wichtige Informationen enthält.



Avant de Commencer

Veuillez lire attentivement toutes les instructions et les conserver pour la référence ultérieure.

Avertissements

Attention : Pour l'usage domestique seulement.

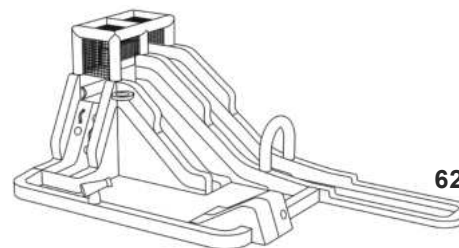
Attention : Les enfants doivent utiliser ce produit sous la surveillance de leurs parents.

Danger : Gardez toutes les petites pièces et les matériaux d'emballage de ce produit hors de portée des bébés et des enfants pour éviter un risque d'étouffement.

Danger : La manque de la fixation pourrait entraîner un risque de basculement ou de chute.

Avertissements Généraux

- ⚠ Le produit doit être installé et utilisé sous la surveillance d'un adulte.
- ⚠ Lisez attentivement chaque étape et suivez l'ordre correct.
- ⚠ Retirez tous les emballages, séparez et comptez toutes les pièces et le matériel.
- ⚠ Veuillez vous assurer que toutes les pièces soient correctement installées, une installation incorrecte peut entraîner un danger.
- ⚠ Nous recommandons que, dans la mesure du possible, tous les articles soient assemblés à proximité de la zone dans laquelle ils seront utilisés, afin d'éviter de déplacer inutilement le produit une fois assemblé.
- ⚠ Assurez-vous que la surface soit solide pendant l'assemblage et placez toujours le produit sur une surface plane et stable.
- ⚠ Veuillez vérifier et entretenir régulièrement les pièces les plus importantes pour la suspension, la fixation, l'ancrage au sol.



Château Aquatique Gonflable

Âge : 3-10 ans

Taille Approximative du

Château Aquatique Gonflable

627 x 330 x 232 cm/21 x 11 x 8 ft

⚠ AVERTISSEMENT

LE NON-RESPECT DE CES INSTRUCTIONS PEUT ENTRAÎNER DES BLESSURES GRAVES OU LA MORT.

N'utilisez pas de rallonges électriques avec ce produit. Utilisation à l'extérieur seulement.

Lisez toutes les instructions avant d'assembler cet appareil gonflable.

Conservez les instructions pour une utilisation ultérieure.

LES UTILISATEURS DOIVENT FAIRE ATTENTION À L'ORIENTATION DU GONFLABLE PAR RAPPORT AU SOLEIL.

La surface de glissement ne doit pas être placée sous le soleil car elle peut éblouir les enfants lors de l'utilisation.

Les enfants (surtout les tout-petits) courent un risque élevé de noyade.

Surveillez de près les enfants qui sont dans ou près de cet appareil gonflable. Videz l'appareil gonflable ou empêchez-en l'accès lorsqu'il n'est pas utilisé.

Risque de noyade:

- Empêchez les enfants non surveillés d'accéder à la piscine en installant une clôture ou une autre barrière approuvée autour de tous les côtés du château aquatique.



- Les lois ou les codes locaux peuvent exiger l'installation d'une clôture ou d'une autre barrière approuvée. Vérifiez les lois et les codes de l'État ou locaux avant d'installer le château aquatique.
- La noyade se produit silencieusement et rapidement. Désignez un adulte pour surveiller le château aquatique.
- Gardez les enfants dans votre champ de vision lorsqu'ils sont dans ou près du château aquatique et lorsque vous remplissez et videz le château aquatique.
- Lorsque vous recherchez un enfant disparu, vérifiez d'abord la piscine, même si vous pensez que votre enfant est dans la maison.

Premiers secours:

- Gardez un téléphone en état de marche et une liste de numéros d'urgence près du château aquatique.
- Obtenez un certificat de réanimation cardio-pulmonaire (RCP) afin de pouvoir intervenir en cas d'urgence.

LISTE DES PIÈCES



(A) x1
Château
Aquatique



(B) x1
Kit
d'assemblage
de tuyau



(C) x1
Sac de
transport



(D) x8
Piquets pour
parc
aquatique



(E) x4
Patches de
réparation



(F) x2
Anneaux
de natation



(G) x1
Ballon en PVC

⚠ AVERTISSEMENTS DE SÉCURITÉ : MISE EN PLACE

LA SUPERVISION ET LA MISE EN PLACE PAR UN ADULTE SONT REQUISES. Ce produit doit être gonflé ou dégonflé uniquement par un adulte compétent. Suivez toutes les instructions fournies.

AVERTISSEMENT ! Les chutes sur des surfaces dures peuvent entraîner des blessures à la tête ou d'autres blessures graves.

Ne le posez jamais sur du béton, de l'asphalte, du bois, de la terre tassée ou toute autre surface dure.

La moquette sur les sols durs peut ne pas empêcher les blessures.

⚠️ AVERTISSEMENT!

- Uniquement pour un usage domestique. Destiné à un usage domestique extérieur uniquement.

Ne pas utiliser dans les lieux publics ou pour la location.

- Le produit est lourd. Soyez prudent lorsque vous le soulevez.
- Le produit ne doit jamais être traîné sur du béton, du pavé ou d'autres surfaces rugueuses.

⚠️ AVERTISSEMENT!

- Tenir à l'écart du feu. Maintenez le tissu à l'écart de toute flamme ou source d'inflammation.
- Ne pas installer par temps de vent ou de pluie : des rafales de vent soudaines peuvent soulever le produit du sol.
- Le produit peut être installé dans n'importe quelle orientation par rapport au soleil, car il n'y a pas de composants ou de surfaces métalliques susceptibles d'absorber un rayonnement solaire excessif.
- N'installez le produit que dans un endroit extérieur répondant aux critères suivants :
 - Placer sur un sol plat et une herbe ou un sol ferme pour permettre une utilisation adéquate des piquets.
 - Le placement sur des surfaces inclinées ou inégales peut faire basculer le produit.
 - Les piquets doivent être placés à un angle pour un meilleur ancrage et doivent être enfoncés sous le sol pour éviter de trébucher.
 - Zones de dégagement minimum : Placez l'appareil à une distance d'au moins 2 m/6,6 pieds de tout autre objet.

- Les objets à éviter comprennent, sans s'y limiter, les clôtures, les bâtiments, les arbres, les branches aériennes, les cordes à linge, les fils électriques, les murs, les corps ou les sources d'eau.

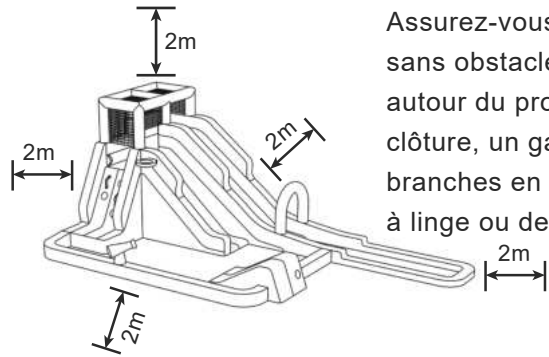
- Assurez-vous que la zone autour du produit est sécurisée en ajoutant des barrières de sécurité, si nécessaire, pour empêcher les jeunes enfants et les animaux domestiques d'y accéder.

- Le cordon électrique ne doit pas passer sous les dispositifs remplis d'air (le château gonflable avec toboggan) et interférer avec son fonctionnement.

- Le château gonflable avec toboggan utilise un ventilateur principal (pompe à air) pour maintenir la pression, qui ne doit être utilisé que par un adulte.
- Seul le ventilateur fourni doit être utilisé pour le gonflage.
- N'utilisez pas de rallonges électriques avec ce produit. Installez-le aussi près que possible de la source d'alimentation. Le souffleur doit être solidement ancré au sol avant d'être utilisé.
- ATTENTION : Le souffleur est capable de déplacer de grands volumes d'air très rapidement. Placez la soufflante dans un endroit où elle ne risque pas d'aspirer des saletés ou des feuilles. Gardez la soufflante et le cordon d'alimentation à l'écart des enfants, de l'eau et de la circulation.
- ATTENTION : La soufflerie doit rester en marche et gonfler continuellement le château gonflable pendant l'utilisation. L'écoulement de l'air par les coutures est normal.
- N'utilisez pas le produit si la vitesse du vent dépasse 30km/h.
- Ne pas consommer de nourriture, de boisson et de chewing-gum sur ce produit.

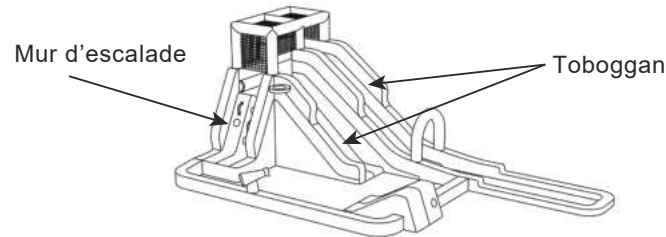
Zones de Dégagement Minimum

ZONES DE DÉGAGEMENT MINIMUM



Assurez-vous qu'il y a une zone sans obstacle de 2 m / 6,6 pieds autour du produit, y compris une clôture, un garage, une maison, des branches en surplomb, des cordes à linge ou des fils électriques.

Emplacement du Parc Aquatique



Choisissez une surface plane et horizontale qui permet un dégagement minimum de 2m/ 6,6 pieds autour du château aquatique.

REMARQUE : NE PAS placer le château gonflable avec toboggan sur une surface dure comme l'asphalte, le béton ou la terre tassée, car cela pourrait entraîner des blessures corporelles graves et endommager le parc aquatique.

ZONES D'ASSEMBLAGE

- Assurez-vous que la zone d'assemblage est plate et de niveau et qu'elle est exempte de pierres, d'objets pointus ou d'autres obstructions.
- N'installez pas le parc aquatique sur une pente ou en ligne.
- N'installez pas le parc aquatique sur de la terre tassée, de l'asphalte, une terrasse ou toute autre surface dure, car cela pourrait entraîner des blessures physiques et/ou endommager le parc aquatique.
- Une fois le parc aquatique gonflé ou rempli d'eau, n'essayez pas de le déplacer vers un autre endroit.
- Vérifiez les réglementations locales de votre comté ou de votre ville pour connaître les exigences en matière de fixation de la piscine.
- Protégez la piscine contre toute utilisation non autorisée.

AVERTISSEMENTS DE SÉCURITÉ:

LE NON-RESPECT DE CES INSTRUCTIONS PEUT ENTRAÎNER DES BLESSURES GRAVES OU LA MORT.



Nombre maximum d'enfants: 3



Âge: 3 à 10 ans



Limite de poids total sur le toboggan et la piscine : 159 KG/350 LBS



Taille individuelle maximale : 5Ft (152cm)



La surveillance d'un adulte est requise. Ne laissez pas les enfants sans surveillance.



Pas d'objets tranchants.



Pas de chaussures, pas de lunettes.



Pas de retournement.



Ne pas glisser la tête la première.



Pas de lutte.



Limite de poids individuel : 53KG/117LBS



Pas de mains ou de pieds sur le filet.



Ne pas utiliser dans des conditions venteuses.



Ne pas laisser à l'extérieur sous la pluie.



Ne pas laisser les enfants toucher le ventilateur ou le cordon électrique.



Doit être ancré à l'aide de piquets.

- La surveillance constante d'un adulte compétent est requise à tout moment pour les enfants et autres jeunes utilisateurs.
- Gardez la zone autour du produit propre et retirez les objets pour éviter de glisser.
- Apprenez aux enfants à utiliser correctement ce produit. Ne l'utilisez pas d'une manière autre que celle prévue.

- Les casques, les couvre-chefs, les chaussures, les lunettes, les vêtements amples, les foulards, les cagoules ou les vêtements contenant des cordons coulissants ne doivent pas être portés lors de l'utilisation de ce produit.
- Ne laissez pas d'autres jouets ou objets à l'intérieur du produit.
- Dites aux enfants de ne pas attacher au produit des articles qui ne sont pas spécifiquement conçus pour être utilisés avec l'équipement, tels que, mais sans s'y limiter, des cordes à sauter, des cordes à linge, des laisses pour animaux, des câbles et des chaînes, car ils peuvent présenter un risque d'étranglement.
- Gardez les animaux domestiques à l'écart du produit.
- Rebondissez loin des autres et restez à l'écart des parois latérales, en particulier de l'ouverture.
- Ne sautez pas sur ou hors du produit.
- Ne laissez pas des enfants de poids et de taille inégaux jouer ensemble.
- La hauteur maximale de chute du dispositif gonflable est de 142cm/4,65FT.
- Séchez soigneusement avant de l'utiliser.
- Le poids total des enfants ne doit pas dépasser 159kg/350lbs sur le toboggan et la piscine.
- Un seul enfant à la fois est autorisé sur chaque toboggan et chaque mur d'escalade.
- Les enfants ne doivent pas glisser la tête la première sur le ventre.
- Ne laissez pas les enfants marcher sur le côté où le moteur de la soufflerie est fixé.
- Faites toujours sécher le produit avant de le ranger.

- N'utilisez jamais le produit comme dispositif de flottaison ou de sauvetage.
- Les enfants peuvent se noyer dans de très petites quantités d'eau. Videz la piscine lorsqu'elle n'est pas utilisée.
- N'installez pas la pataugeoire sur du béton, de l'asphalte ou toute autre surface dure.
- Vérifiez toujours le produit et tous ses points d'ancrage pendant l'utilisation, et fixez-les à nouveau, le cas échéant. Vérifiez toujours qu'il n'y a pas de perte d'air excessive et regonflez avant de continuer la course.
- En tant que produit d'extérieur, cette structure gonflable est sujette à l'usure et à la détérioration.
- Maintenez le produit correctement entretenu et surveillez les signes de défaillance du tissu.
- Les surfaces fragiles ou déchirées doivent être réparées rapidement.
- Si le produit contient une piscine :
 - Ne jamais plonger ou sauter dans la zone de la piscine.
 - Ne vous asseyez pas sur les bords de la piscine, car une inondation pourrait se produire.
 - Toujours vider le produit après utilisation. Ne le laissez pas gonflé ou rempli d'eau pendant la nuit.
 - Gardez la zone de la piscine propre pour éviter les maladies. Dites à tous les enfants de ne jamais boire l'eau de la piscine et de pratiquer une bonne hygiène.
- Avant et pendant l'utilisation, vérifiez les pertes d'air. Vérifiez que le ventilateur est correctement connecté.
- Toujours vérifier le produit et tous ses points d'ancrage avant et pendant l'utilisation, et les fixer à nouveau si nécessaire.

- Le cas échéant, retirez l'eau et les débris des marches de la poche après chaque cycle de jeu.

Après le gonflage, la soufflerie doit fonctionner en continu pendant que les enfants jouent.

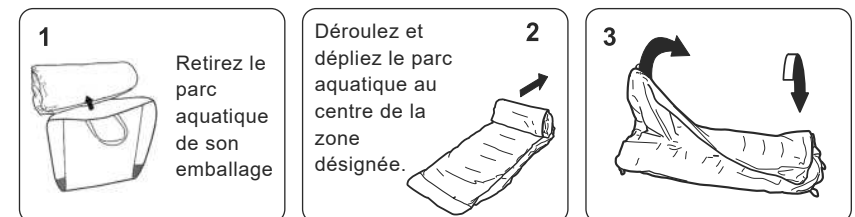
- Avant de dégonfler le produit, faites sortir tous les enfants.
- Dégonflez toujours le produit après utilisation et rangez-le à l'intérieur.

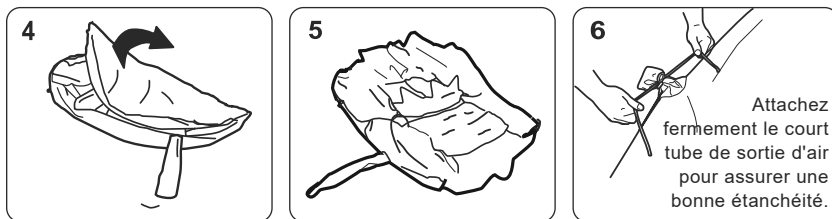
Le produit doit être examiné périodiquement pour détecter toute condition potentiellement dangereuse telle que : cordon, fiche, boîtier ou pièces endommagés, et dans le cas où de tels dommages seraient constatés, le produit ne doit pas être utilisé avant d'être correctement réparé.

Ne laissez jamais le ventilateur à l'extérieur sous la pluie ou dans les éléments lorsqu'il n'est pas utilisé. Reportez-vous aux instructions pour l'installation, le stockage, la maintenance et l'entretien.

- Le produit peut être installé dans n'importe quelle orientation par rapport au soleil, car il n'y a pas de composants ou de surfaces métalliques susceptibles d'absorber un rayonnement solaire excessif.
- Changer l'eau des pataugeoires fréquemment (notamment par temps chaud) ou lorsqu'elle est notablement contaminée.

Installer

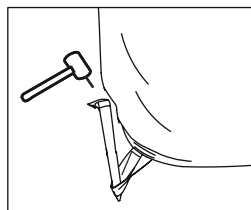




GONFLAGE ET FIXATION

Fixez le parc aquatique au sol à l'aide des piquets fournis.

Pour éviter de trébucher, tirez les boucles des piquets jusqu'au bout, puis enfoncez complètement les piquets dans le sol.



Jouer dans le Parc Aquatique

REMARQUE: Il est normal de voir des bulles d'air s'élever du fond de la piscine et des autres zones humides du château gonflable avec toboggan.

GLISSEMENT

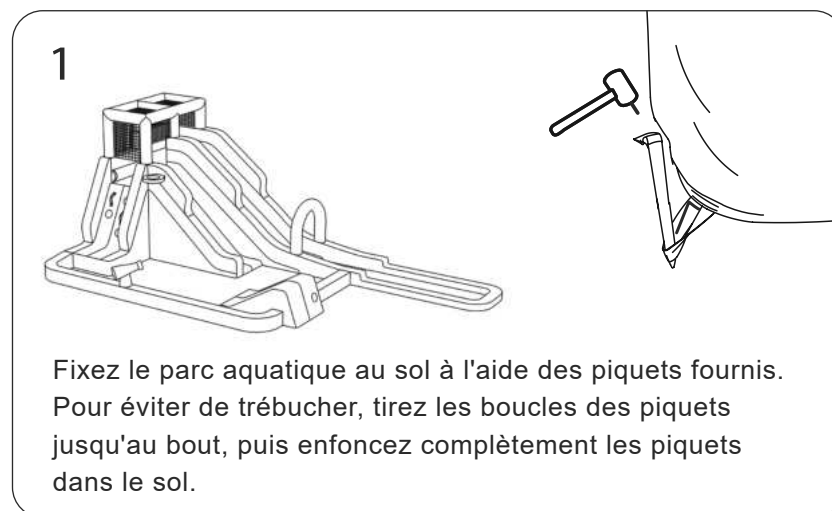
1. Grimpez sur le mur d'escalade jusqu'au sommet du toboggan.
2. Assis en haut avec nos pieds pointant vers le bas du toboggan.
3. Se déplacer vers l'avant et glisser vers le bas dans la zone d'éclaboussure.
4. NE PAS glisser sur le ventre ou la tête la première.
5. Ne faites pas face au soleil lorsque vous glissez.

Fixation du Parc Aquatique

⚠ PRÉCAUTIONS

Le parc aquatique et tous ses points d'ancrage doivent être vérifiés avant et pendant l'utilisation.

Regonflez ou fixez à nouveau le parc selon les besoins. NE laissez PAS les enfants jouer sur le parc aquatique avant qu'il ne soit entièrement gonflé !



⚠ PRÉCAUTIONS CONCERNANT LE PARC AQUATIQUE:

Enfoncez complètement les piquets dans le sol pour éviter tout risque de trébuchement.

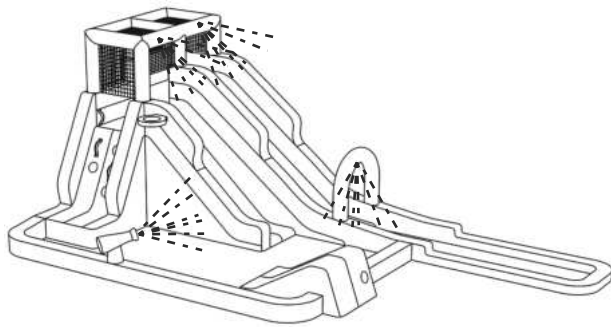
N'utilisez pas le toboggan aquatique avant qu'un adulte ne l'ait assemblé, fixé avec des piquets et entièrement gonflé.

Ne pas installer ou gonfler le parc aquatique par temps venteux et/ou pluvieux, car les rafales de vent peuvent rendre le parc instable et le soulever du sol.

Installation de Pulvérisateurs de Parc Aquatique

Ouvrez le tuyau d'arrosage et réglez la pression comme vous le souhaitez.

Assurez-vous qu'un jet d'eau régulier sort du pulvérisateur et que les toboggans restent humides.



⚠ PRÉCAUTIONS

- Les enfants peuvent se noyer dans une très petite quantité d'eau. Videz la piscine lorsqu'elle n'est pas utilisée.
 - Pour éviter tout risque de blessure, descendez TOUJOURS le toboggan les pieds en premier.
- Ne descendez JAMAIS sur le ventre ou la tête la première.
- Un seul enfant doit être sur le toboggan et grimper en même temps.
 - Le poids total des enfants ne doit pas dépasser 350lbs/159kg (poids individuel maximum=117lbs/53kg) sur la surface gonflée.
 - Ne JAMAIS glisser sur le toboggan avant que la zone d'éclaboussure ne soit dégagée.
 - Ne JAMAIS glisser ou sauter sur le mur d'escalade.

Avertissements Concernant l'Eau

IMPORTANT


Pour éviter des blessures graves ou la mort, tenez compte de tous les panneaux d'avertissement imprimés sur le parc aquatique.

Ces signes sont présentés ci-dessous :


⚠ DANGER

PAS DE PLONGÉE OU DE SAUT EN EAU PEU PROFONDE

PLONGER PEUT ENTRAÎNER DES BLESSURES PERMANENTES OU LA MORT.

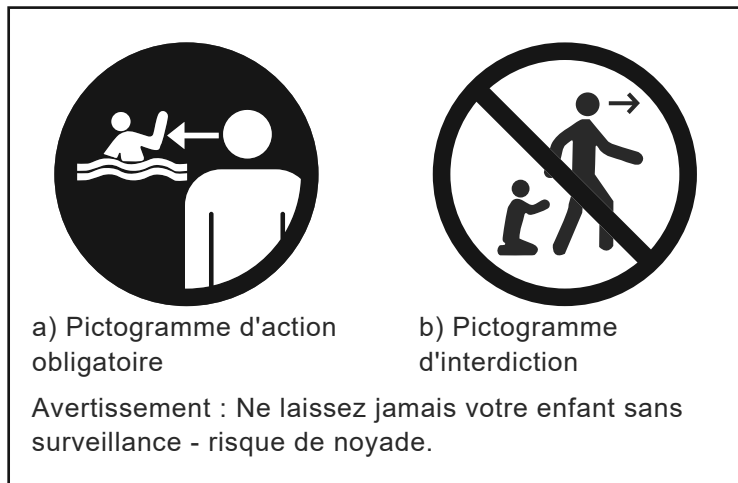


- LES ENFANTS DOIVENT ÊTRE ACCOMPAGNÉS D'UN ADULTE.
- PAS DE COURSE, DE SAUT OU DE JEU DE CHEVAL DANS OU AUTOUR DE LA PISCINE.
- PAS DE VERRE DANS LA ZONE DE LA PISCINE.



POUR ÉVITER TOUTE BLESSURE GRAVE, TOUS LES UTILISATEURS DE LA PISCINE DOIVENT CONNAÎTRE ET RESPECTER CES RÈGLES DE SÉCURITÉ.





AVERTISSEMENT

PRUDENCE ! CERTAINES SURFACES DU PARC AQUATIQUE SONT GLISSANTES ET PEUVENT PRÉSENTER UN RISQUE DE TRÉBUCHEMENT.

Vidange et Dégonflage

IMPORTANT- Le château gonflable avec toboggan DOIT être vidé de toute son eau et être COMPLÈTEMENT SEC avant le stockage afin d'éviter la moisissure.

NE PAS plier et ranger le château gonflable avec toboggan s'il reste de l'humidité.

IMPORTANT- Tous les enfants DOIVENT SORTIR du château gonflable avec toboggan avant de le dégonfler ou de vider l'eau.

IMPORTANT- Pour de meilleurs résultats, 2 à 4 personnes doivent vider et déplacer le château gonflable avec toboggan.

- 1

Fermez le tuyau d'arrosage

Déconnectez

Fermez le tuyau d'arrosage et débranchez-le du tube en plastique transparent.
- 2

Soulevez le fond de la piscine d'un côté à l'autre pour laisser l'eau restante s'écouler.

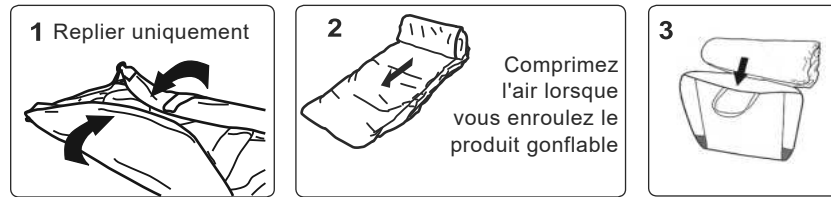
Alors que le château gonflable avec toboggan se dégonfle, l'eau trouve le point le plus bas et s'écoule des parois de la piscine qui s'effondrent.
- 3

Retirez les piquets et déplacez le château gonflable avec toboggan loin de l'eau qui s'est écoulée, dans un endroit sec.
- 4

Laissez le château gonflable et le toboggan gonflés jusqu'à ce que toute l'eau restante se soit évaporée et que le parc aquatique soit sec. Cela peut prendre 2 heures ou plus selon les conditions météorologiques.
- 5

Détachez le cordon du tuyau de sortie court et laissez le château gonflable avec toboggan se dégonfler complètement. Retirez le tuyau et enroulez-le sans le plier.

STOCKAGE



INSTRUCTIONS DES PATCHS DE RÉPARATION

⚠ AVERTISSEMENT!

Les patchs de réparation doivent être appliqués par un adulte uniquement.

NE PAS LAISSER À LA PORTÉE DES ENFANTS.

INSTRUCTION:

1. Dégonflez l'article, nettoyez la zone et laissez-la sécher complètement.
2. Découpez une partie du patch à la taille nécessaire et arrondissez les coins. (Voir la figure).
3. Retirez le support adhésif du matériau du patch, placez le patch sur la zone endommagée et aplanissez les bulles.
4. Laissez reposer pendant 30 minutes avant de regonfler.

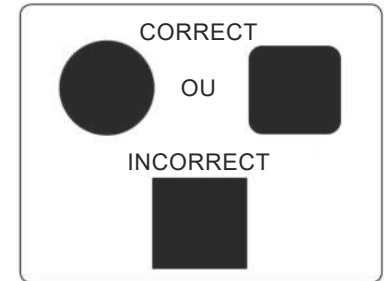
INSTRUCTIONS POUR L'ENTRETIEN DU PARC AQUATIQUE

En tant que produit d'extérieur, le parc aquatique est sujet à l'usure et à la détérioration.

Inspectez les signes de défaillance du tissu ; les surfaces faibles ou déchirées doivent être réparées rapidement.

- Pour garder le produit propre : essuyez le parc aquatique ou le souffleur à l'aide d'un chiffon sec ou d'un chiffon humidifié avec une solution de nettoyage et d'assainissement neutre, ininflammable et non toxique ou de l'eau pure.

- Le produit ne doit jamais être stocké humide. Laissez-le sécher avant de l'enrouler.



ÉLIMINATION

- Démontez et éliminez l'équipement de manière à ce qu'aucune condition dangereuse n'existe au moment où l'équipement est mis au rebut.
- Le souffleur doit être remis à un centre de collecte

INSTRUCTIONS POUR L'ENTRETIEN DU SOUFFLEUR

- Le souffleur doit être débranché avant l'entretien.
- Si le cordon d'alimentation est endommagé, il doit être remplacé par des personnes qualifiées afin d'éviter tout risque.
- Le produit doit être examiné périodiquement afin de détecter toute condition potentiellement dangereuse, comme un cordon, une fiche, un boîtier ou des pièces endommagées, et si de tels dommages sont constatés, le produit ne doit pas être utilisé avant

d'être correctement réparé. Si ces contrôles ne sont pas effectués, le produit peut se renverser ou devenir un danger.

- Le souffleur ne nécessite aucune lubrification et ne comporte aucune pièce réparable par l'utilisateur.

N'essayez pas de réparer le souffleur.

- Ne pas immerger le souffleur dans l'eau. Pour le nettoyer, essuyez-le avec un chiffon humide.
- Vérifiez régulièrement les ouvertures d'entrée et de sortie et veillez à ce qu'elles soient exemptes de saletés, de feuilles, etc.
- Lorsque vous n'utilisez pas le souffleur, rangez-le à l'intérieur dans un endroit sec.
- Rangez le souffleur en position verticale sur une surface stable.
- Enroulez le cordon sans le serrer et placez-le à côté du souffleur.
- Lors de l'utilisation, ne placez pas le cordon à travers les zones de circulation, l'eau ou les zones humides.
- Le ventilateur est un ventilateur à haut volume, capable de déplacer de grands volumes d'air très rapidement. Placez la soufflante dans un endroit où elle ne risque pas d'aspirer des saletés ou des feuilles.

« Prenons soin de l'environnement ! »

Le symbole de la poubelle à roulettes indique que le produit ne doit pas être jeté avec les autres déchets ménagers. Veuillez utiliser des points de collecte désignés ou des installations de recyclage lors de l'élimination de l'article.



Veuillez conserver ce manuel car il contient des informations importantes.

ES



Antes de Empezar

Lea atentamente todas las instrucciones y consévelas para futuras consultas.

Advertencias

Atención: Solo para uso doméstico.

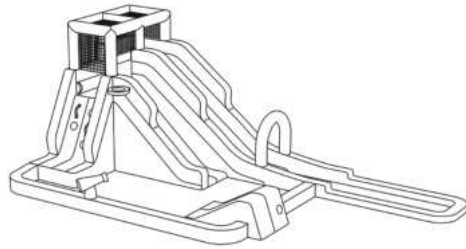
Atención: Los niños deben utilizar este producto bajo la supervisión de sus padres.

Peligro: Mantenga todas las piezas pequeñas y los materiales de embalaje de este producto fuera del alcance de los bebés y los niños, ya que de lo contrario pueden suponer un peligro de asfixia.

Peligro: La falta de fijación puede provocar un riesgo de vuelco o de caída.

Advertencias Generales

- ⚠ El producto debe instalarse y usarse bajo la supervisión de un adulto.
- ⚠ Lea detenidamente cada paso y siga el orden correcto.
- ⚠ Quite todo el embalaje, separe y cuente todas las piezas y los accesorios.
- ⚠ Asegúrese de que todas las piezas estén instaladas correctamente, una instalación incorrecta puede provocar un peligro.
- ⚠ Recomendamos que, siempre que sea posible, todos los elementos se monten cerca de la zona en la que se van a utilizar, para evitar mover el producto innecesariamente una vez montado.
- ⚠ Asegure una superficie segura durante el montaje, y coloque el producto siempre sobre una superficie plana, firme y estable.
- ⚠ Por favor, revise y mantenga el producto regularmente, y las piezas más importantes deben estar suspendidas, fijadas o ancladas bien al suelo.



Parque Acuático Inflable
Edad: 3-10 años
Tamaño Aproximado
del Parque Acuático Inflado
627 x 330 x 232 cm

⚠️ ADVERTENCIA

EL INCUMPLIMIENTO DE ESTAS INSTRUCCIONES PUEDE PROVOCAR LESIONES GRAVES O LA MUERTE.

No use cables de extensión con este producto. Solo para uso en exteriores.

Lea todas las instrucciones antes de montar este dispositivo inflable. Conserve las instrucciones para uso futuro.

LOS USUARIOS DEBEN TENER CUIDADO CON LA ORIENTACIÓN DEL TOBOGÁN DEL DISPOSITIVO INFLABLE CON RESPECTO AL SOL.

La superficie del tobogán no debe ubicarse frente al sol, ya que el sol puede deslumbrar a los niños cuando usan el producto.

Los niños (especialmente los niños pequeños) corren un alto riesgo de ahogarse. Observe de cerca a los niños que están dentro o cerca de este dispositivo inflable. Vacíe el dispositivo inflable y evite el acceso cuando no esté en uso.

Riesgo de Ahogamiento:

• Evite que los niños sin supervisión accedan a la piscina instalando cercas u otras barreras aprobadas alrededor de todos los lados del parque acuático.



- Las leyes o códigos estatales o locales pueden requerir vallas u otras barreras aprobadas. Consulte las leyes y códigos estatales o locales antes de instalar el parque acuático.
- El ahogamiento se produce de forma rápida y silenciosa. Encargue a un adulto para supervisar el parque acuático.
- Mantenga a los niños a la vista directa cuando estén dentro o cerca del parque acuático y cuando esté llenando y vaciando el parque acuático.
- Al buscar un niño desaparecido, primero revise la piscina, incluso si cree que su niño está en la casa.

Primeros Auxilios:

- Mantenga un teléfono que funcione y una lista de números de emergencia cerca del parque acuático.
- Obtenga la certificación en reanimación cardiopulmonar (CPR) para que pueda responder a una emergencia.

LISTA DE PIEZAS



(A) x1
Parque acuático



(B) x1
Kit de montaje de manguera



(C) x1
Bolsa de transporte



(D) x8
Estaca de tierra



(E) x4
Parche de reparación



(F) x2
Anillo de natación



(G) x1
Pelota de PVC

ADVERTENCIAS DE SEGURIDAD: INSTALACIÓN

SE REQUIERE LA SUPERVISIÓN E INSTALACIÓN DE ADULTOS. Este producto debe ser inflado o desinflado únicamente por un adulto competente. Siga todas las instrucciones proporcionadas.

¡ADVERTENCIA! Las caídas sobre superficies duras pueden provocar lesiones en la cabeza u otras lesiones graves. Nunca lo coloque sobre concreto, asfalto, madera, tierra compacta u otras superficies duras.

Es posible que la alfombra sobre pisos duros no evite lesiones.

¡ADVERTENCIA!

- Solo para uso doméstico. Diseñado solo para uso familiar doméstico al aire libre. No para uso en áreas públicas o como alquiler.
- El producto es pesado. Tenga cuidado al levantar.
- El producto nunca debe arrastrarse por concreto, pavimento u otras superficies rugosas.

¡ADVERTENCIA!

- Mantenga alejado del fuego. Mantenga la tela libre de llamas y fuentes de ignición.
- No lo instale en condiciones de viento o lluvia: ráfagas de viento repentinas pueden levantar el producto del suelo.
- El producto se puede instalar en cualquier orientación con respecto al sol, ya que no hay componentes metálicos ni

superficies metálicas que puedan absorber la radiación solar excesiva.

- Instale el producto únicamente en un lugar al aire libre que cumpla con los siguientes criterios:
 - Colóquelo en un terreno nivelado y césped o suelo firme para permitir el uso adecuado de las estacas.
 - La colocación sobre superficies inclinadas o irregulares puede hacer que el producto se vuelque.
 - Las estacas deben colocarse en ángulo para un mejor anclaje, deben colocarse debajo del suelo para evitar tropiezos.
 - Espacio libre mínimo: Coloque al menos a 2 m de distancia de cualquier otro objeto.
 - Los objetos que deben evitarse incluyen, entre otros, cercas, edificios, árboles, ramas elevadas, tendederos, cables eléctricos, paredes o cuerpos o fuentes de agua.
 - Asegúrese de que el área alrededor del producto sea segura agregando barreras de seguridad, si es necesario, para evitar que los niños pequeños y las mascotas tengan acceso.
 - El cable eléctrico no debe pasar por debajo de los dispositivos llenos de aire (parque inflable con tobogán) e interferir con su funcionamiento.
- El dispositivo inflable con tobogán utiliza un soplador principal (bomba de aire) para mantener la presión, que solo debe ser utilizado por un adulto.
- Solo se debe utilizar el soplador suministrado para el inflado.
- No use cables de extensión con este producto. Instale lo más cerca posible de la fuente de alimentación.
- El soplador debe estar bien anclado al suelo antes de su uso.

- **PRECAUCIÓN:** El soplador puede mover un volumen grande de aire muy rápidamente. Coloque el soplador en un área donde no absorba suciedad ni hojas. Mantenga el soplador y el cable de alimentación alejados de los niños, el agua y el tráfico.

- **ATENCIÓN:** El soplador debe permanecer encendido e inflar continuamente el parque acuático durante su uso. El flujo de aire a través de las costuras es normal.

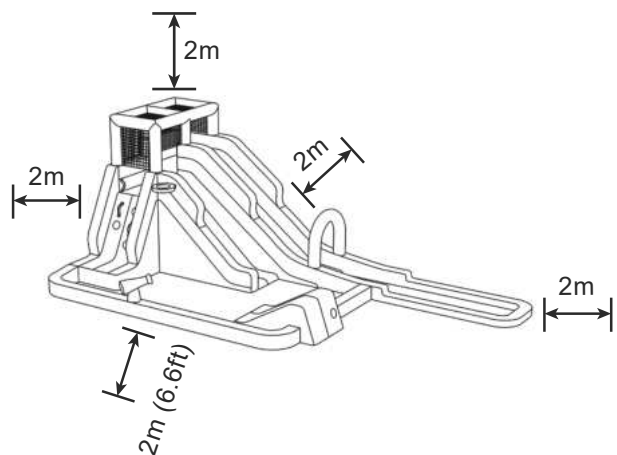
- No utilice el producto si la velocidad del viento supera los 30 km/h.

- No consuma alimentos, bebidas ni chicle en este producto.

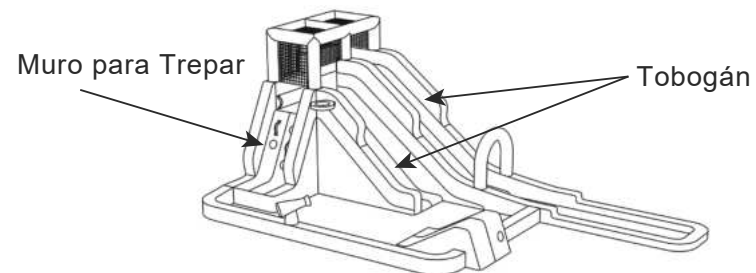
Espacio Libre Mínimo

ESPACIO LIBRE MÍNIMO

Asegúrese de que haya una zona libre de obstáculos de 2 m alrededor del producto, incluida una cerca, un garaje, una casa, ramas colgantes, tendederos o cables eléctricos.



Colocación del Parque Acuático



Determine una superficie plana y nivelada que permita un espacio libre mínimo de 2 m alrededor del parque acuático.

NOTA: NO coloque el parque acuático sobre una superficie dura como asfalto, concreto o tierra compacta, ya que podrían producirse lesiones corporales graves y daños al dispositivo inflable con tobogán.

ÁREAS DE MONTAJE

- Asegúrese de que el área de montaje sea plana y nivelada y que no tenga rocas, objetos afilados u otras obstrucciones.
- No instale el parque acuático en una pendiente o en una línea.
- No instale el parque acuático sobre tierra compacta, asfalto, tarimas o cualquier superficie dura, ya que hacerlo puede provocar lesiones físicas y/o daños al parque acuático.
- Una vez que el parque acuático esté inflado o lleno de agua, no intente arrastrarlo a otra ubicación.
- Consulte las normativas locales de su país o ciudad para conocer los requisitos para asegurar la piscina.
- Asegure la piscina para evitar el uso no autorizado.

ADVERTENCIAS DE SEGURIDAD:

EL INCUMPLIMIENTO DE ESTAS INSTRUCCIONES PUEDE PROVOCAR LESIONES GRAVES O LA MUERTE.



Número máximo de niños: 3



Edad



Límite de peso total en tobogán y piscina: 159 kg



Altura individual máxima: 152 cm



Se requiere la supervisión de un adulto. No deje a los niños desatendidos.



No utilice objetos afilados.



No lleve zapatos ni gafas.



No haga saltos mortales.



No se deslice con la cabeza por delante.



No luche.



Límite de peso individual: 53 kg.



No ponga sus manos ni pies en la red.



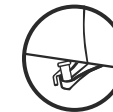
No lo use en condiciones de viento.



No lo deje afuera bajo la lluvia.



No permita que los niños toquen el ventilador o el cable eléctrico.



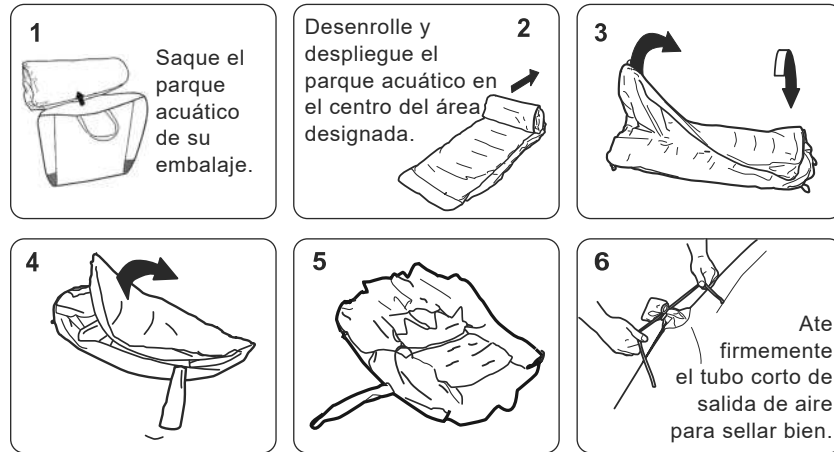
Debe ser anclado con estacas.

- Se requiere en todo momento la supervisión constante y competente de un adulto para los niños y otros usuarios jóvenes.
- Mantenga el área alrededor del producto limpia y libre de objetos para evitar resbalones y caídas.
- Instruya a los niños sobre el uso adecuado de este producto. No lo utilice de una manera diferente a la prevista.
- No se deben usar cascos, sombreros, zapatos, gafas, ropa holgada, bufandas, capuchas o ropa que contenga cordones al usar este producto.
- No permita otros juguetes u objetos dentro del producto.
- Instruya a los niños que no coloquen artículos en el producto que no estén diseñados específicamente para usar con el equipo, tales como, pero no limitados a, cuerdas para saltar, tendedores, correas para mascotas, cables y cadenas, ya que pueden causar un peligro de estrangulación.
- Mantenga a las mascotas alejadas del producto.
- Rebote lejos de los demás y manténgase alejado de la pared lateral, especialmente la abertura.
- No salte del exterior al producto ni salte del producto al exterior.
- No permita que los niños jueguen juntos si tienen un peso y una altura desiguales.
- La altura máxima de caída del dispositivo inflable es de 142 cm.
- Seque el producto completamente antes de usarlo.

- El peso total de los niños no debe superar los 159 kg en el tobogán y la piscina.
- Solo se permite un niño a la vez en cada tobogán y escalador.
- Los niños no deben deslizarse con su estómago hacia abajo o con su cabeza primero.
- No permita que los niños caminen por el lado donde se adjunta el motor del soplador.
- Seque siempre el producto antes del almacenamiento.
- Nunca use el producto como dispositivo de flotación o salvavidas.
- Los niños pueden ahogarse en una cantidad muy pequeña de agua. Vacíe la piscina cuando no esté en uso.
- No instale la piscina inflable sobre concreto, asfalto o cualquier otra superficie dura.
- Siempre verifique el producto y todos sus puntos de anclaje durante su uso y vuelva a asegurarlo, según corresponda. Siempre verifique si hay una pérdida excesiva de aire y vuelva a inflar antes de permitir que continúe el juego.
- Como un producto para exteriores, este dispositivo inflable con tobogán está sujeto a desgaste y deterioro. Mantenga el producto debidamente mantenido y observe si hay señales de falla de la tela. Las superficies débiles o rasgadas deben repararse de inmediato.
- Si el producto contiene una piscina:
 - Nunca se sumerja ni salte al área de la piscina.
 - No se sienta en los bordes de la piscina, ya que puede ocurrir una inundación.
 - Drene siempre el producto después de su uso. No lo deje inflado o lleno de agua durante la noche.

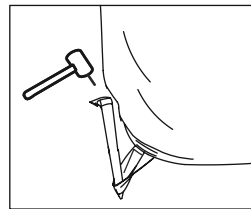
- Mantenga limpia el área de la piscina para evitar enfermedades. Indique a todos los niños que nunca deben beber agua de la piscina y que practiquen una buena higiene.
- Antes del uso y durante el uso, verifique la pérdida de aire. Compruebe que el soplador esté conectado correctamente.
- Siempre verifique el producto y todos sus puntos de anclaje antes y durante su uso, y vuelva a asegurarlo si es necesario.
- Si es aplicable, elimine el agua y la suciedad después de cada ciclo de juego.
- Después del inflado, el soplador debe funcionar continuamente mientras los niños juegan.
- Antes de desinflar, retire a todos los niños.
- Desinfe siempre el producto después de usarlo y guárdelo en interiores. Este producto debe ser examinado periódicamente para detectar posibles condiciones inseguras, tales como: cable, enchufe, carcasa o piezas dañados, y que en caso de que se encuentre dicho daño, el producto no debe utilizarse hasta que se haya reparado adecuadamente. Nunca deje el soplador afuera bajo la lluvia o los elementos cuando no esté en uso. Consulte las instrucciones para instalación, almacenamiento, mantenimiento y cuidado.
- El producto se puede instalar en cualquier orientación con respecto al sol, ya que no hay componentes metálicos ni superficies metálicas que puedan absorber la radiación solar excesiva.
- Cambie el agua de las piscinas infantiles con frecuencia (especialmente en climas cálidos o cuando esté notablemente contaminada).

MONTAJE



INFLACIÓN Y ESTACA

Asegure el parque acuático al suelo con las estacas provistas. Para evitar tropezar, tire de los lazos de las estacas completamente hacia afuera y luego clave las estacas completamente en el suelo.



Jugar en el Parque Acuático

Nota: Es normal ver burbujas de aire que se salen del piso de la piscina y de otras áreas húmedas del parque acuático.

DESLIZAMIENTO

1. Suba por el muro de escalada hasta la parte superior del tobogán.

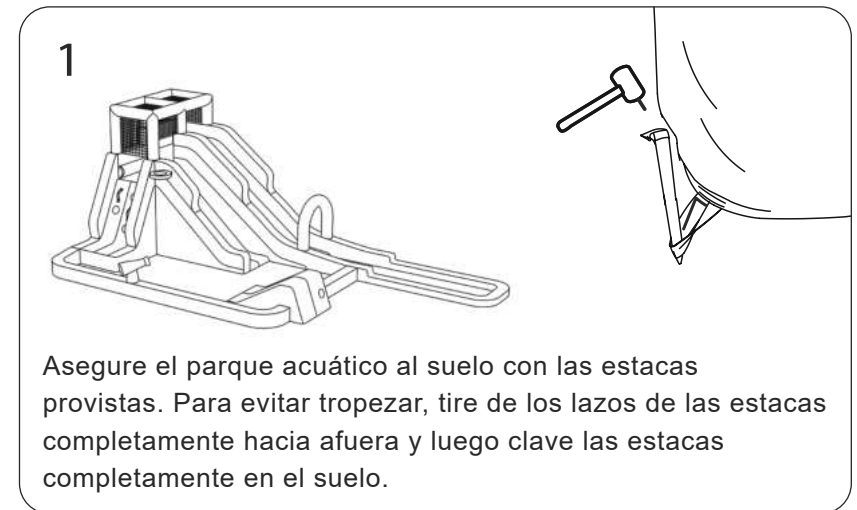
2. Siéntese en la parte superior con los pies apuntando hacia abajo del tobogán.
3. Deslícese hacia adelante y deslícese hacia el área de amerizaje.
4. NO se deslice con su estómago hacia abajo o con su cabeza primero.
5. No mire al sol al deslizarse.

Estacar el Parque Acuático

⚠ PRECAUCIONES

El parque acuático y todos sus puntos de anclaje deben revisarse antes y durante su uso.

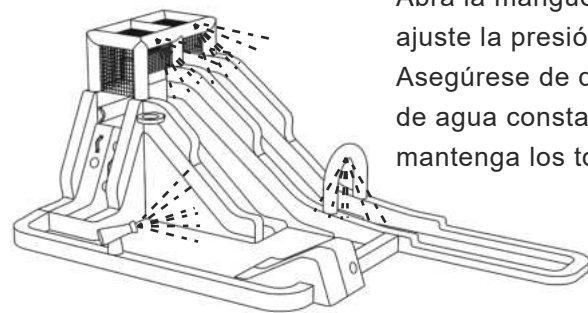
Vuelva a inflarlo o vuelva a asegurarlo según corresponda. ¡NO permita que los niños jueguen en el parque acuático hasta que esté completamente inflado!



⚠ PRECAUCIONES DEL PARQUE ACUÁTICO

- Clave las estacas de tierra completamente en el suelo para evitar el peligro de tropezar.
- No use el tobogán de agua hasta que un adulto lo haya ensamblado, estacado y completamente inflado.
- No instale ni infle el parque acuático en condiciones de viento o lluvia ya que las ráfagas de viento pueden hacer que el parque se vuelva inestable y posiblemente se levante del suelo.

Montaje del Rociador del Parque Acuático



Abra la manguera del jardín y ajuste la presión como desee. Asegúrese de que salga un chorro de agua constante del rociador y mantenga los toboganes húmedos.

⚠ PRECAUCIONES

- Los niños pueden ahogarse en una cantidad muy pequeña de agua. Vacíe la piscina cuando no esté en uso.
- Para evitar el riesgo de lesiones, SIEMPRE deslícese por el tobogán con los pies primero. NUNCA se deslice con su estómago hacia abajo o con su cabeza primero.
- Solo se permite un niño a la vez en el tobogán y escalador.

- El peso total de los niños no debe superar los 159 kg (peso individual máximo = 53 kg) en una superficie inflada.
- NUNCA se deslice por el tobogán hasta que el área del amerizaje esté despejada.
- NUNCA se deslice ni salte por el muro de escalada.

Advertencias de Agua

IMPORTANTE

Para evitar lesiones graves o la muerte, preste atención a todas las señales de advertencia impresas en el parque acuático. Estas señales se muestran a continuación.

⚠ PELIGRO

NO BUCEAR NI SALTAR EN AGUAS BAJAS.
EL BUCEO PUEDE RESULTAR EN LESIONES PERMANENTES O LA MUERTE.



- LOS NIÑOS DEBEN IR ACOMPAÑADOS DE UN ADULTO.
- NO PUEDEN CORRER, SALTAR O JUGAR A CABALLO DENTRO O ALREDEDOR DE LA PISCINA.
- NO COLOQUE VIDRIO EN EL ÁREA DE LA PISCINA.



PARA EVITAR LESIONES GRAVES, TODOS LOS USUARIOS DE LA PISCINA DEBEN CONOCER Y SEGUIR ESTAS REGLAS DE SEGURIDAD.



ADVERTENCIA

¡TENGA CUIDADO! ALGUNAS DE LAS SUPERFICIES DEL PARQUE ACUÁTICO ESTÁN RESBALADIZAS Y PUEDEN PRESENTAR UN PELIGRO DE TROPIEZO.

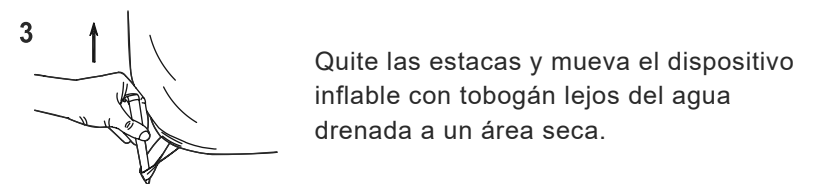
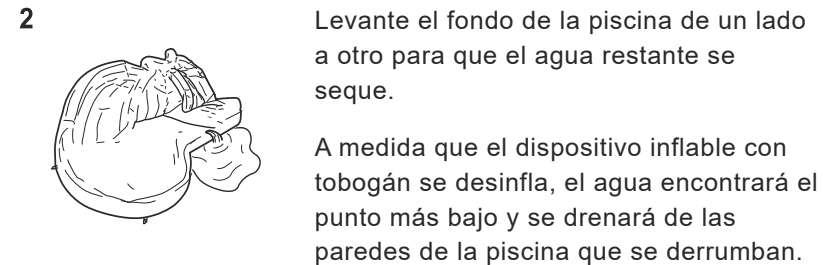
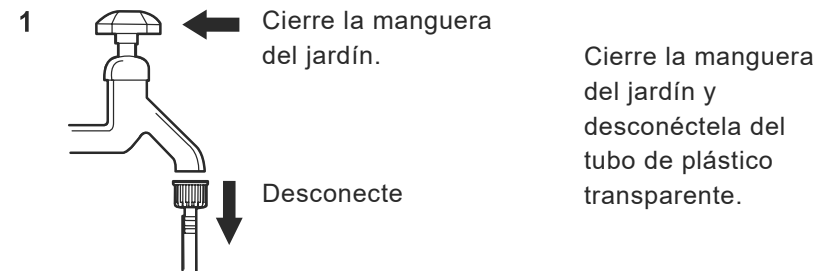
Drenaje y Deflación

IMPORTANTE – El dispositivo inflable con tobogán DEBE drenarse toda el agua y estar COMPLETAMENTE SECO antes de guardarlo para evitar el moho.

NO doble ni almacene el dispositivo inflable con tobogán si queda humedad.

IMPORTANTE - Todos los niños DEBEN SALIR del dispositivo inflable con tobogán antes de desinflar o drenar el agua.

IMPORTANTE - Para obtener mejores resultados, se necesitan 2-4 personas para drenar y mover el dispositivo inflable con tobogán.

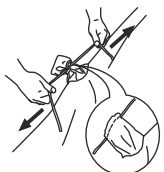


4



Deje el producto inflado hasta que toda el agua restante se haya evaporado y el parque acuático esté seco. Esto puede tardar 2 horas o más dependiendo de las condiciones climáticas.

5



Desate el cordón del tubo de salida corto y permita que el dispositivo inflable con tobogán se desinfle por completo. Retire el conjunto de la manguera y envuélvalo sin que se doble.

ALMACENAMIENTO

1 Solo dóblelo

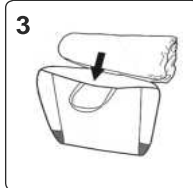


2



Comprima el aire mientras enrolla el dispositivo inflable.

3



INSTRUCCIONES DEL PARCHES DE REPARACIÓN

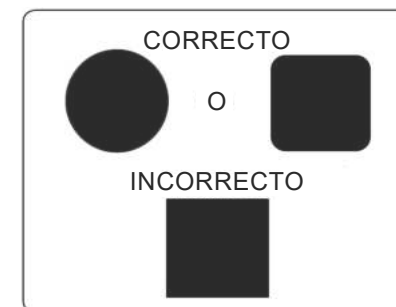
⚠ ADVERTENCIA

Los parches de reparación deben ser aplicados únicamente por un adulto.

MANTENGA FUERA DEL ALCANCE DE LOS NIÑOS.

INSTRUCCIONES:

1. Desinfe el artículo, limpie el área y deje secar completamente.
2. Corte una porción del parche del tamaño necesario y redondee las esquinas (vea la figura).
3. Retire el respaldo adhesivo del material del parche, coloque el parche sobre el área dañada y alise las burbujas.
4. Deje reposar durante 30 minutos antes de volver a inflar.



INSTRUCCIONES PARA EL MANTENIMIENTO DEL PARQUE ACUÁTICO

- Como un producto para exteriores, este dispositivo inflable con tobogán está sujeto a desgaste y deterioro. Inspeccione si hay signos de fallo en el tejido; las superficies débiles o desgarradas deben ser reparadas de inmediato.
- Para mantener limpio el producto: limpie el dispositivo inflable con tobogán o el soplador con un paño seco o un paño humedecido con una solución de limpieza y desinfección neutra, no inflamable y no tóxica o con agua pura.
- El producto nunca debe almacenarse húmedo. Deje secar antes de enrollarlo.

ELIMINACIÓN

- Desmonte y deseche el equipo de tal manera que no existan condiciones peligrosas en el momento en que se desecha el equipo.
- El soplador debe ser devuelto a un centro de recogida.

INSTRUCCIONES PARA EL MANTENIMIENTO DEL SOPLADOR

- El soplador debe estar desenchufado antes de darle servicio.
- Si el cable de alimentación está dañado, debe ser reemplazado por personas calificadas para evitar un peligro.
- El producto debe examinarse periódicamente para detectar posibles condiciones inseguras, como cables, clavijas, carcasa o piezas dañados, y en el caso de que se encuentren tales daños, el producto no debe utilizarse hasta que se haya reparado adecuadamente. Si no se llevan a cabo estas comprobaciones, el producto podría volcarse o convertirse en un peligro.
- El soplador no requiere lubricación y no tiene piezas reparables por el usuario. No intente reparar el soplador.
- No sumerja el ventilador en el agua. Para limpiar, limpie con un paño húmedo.
- Compruebe periódicamente las aberturas de entrada y salida y manténgalas libres de suciedad, hojas, etc.
- Cuando no esté en uso, guarde el soplador en el interior en un lugar seco.
- Guarde el soplador en posición vertical sobre una superficie estable.

- Enrolle sin apretar el cable y colóquelo al lado del soplador.
- Cuando esté en uso, no coloque el cable en áreas de tráfico, agua o áreas húmedas.
- El soplador es un soplador de gran volumen y es capaz de mover un volumen grande de aire muy rápidamente. Coloque el soplador en un área donde no absorba suciedad ni hojas.

"¡Cuidemos el medio ambiente!"

El símbolo del contenedor con ruedas indica que el producto no debe desecharse con otros residuos domésticos. Utilice los puntos de recolección designados o las instalaciones de reciclaje cuando deseche el artículo.



Conserve este manual ya que contiene información importante.



Prima di Iniziare

Si prega di leggere attentamente tutte le istruzioni e conservarle per riferimento futuro.

Avvertenza

Attenzione: solo per uso domestico.

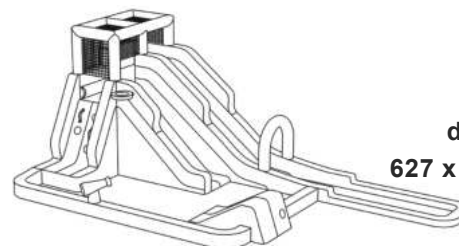
Attenzione: I bambini devono usare questo prodotto sotto la supervisione dei genitori.

Pericolo: Tenere tutte le piccole parti e i materiali di imballaggio di questo prodotto lontano da neonati e bambini, altrimenti potrebbero rappresentare un rischio di soffocamento.

Pericolo: La mancanza di accessorio può causare un rischio di ribaltamento.

Avvertenze Generali

- ⚠ Il prodotto deve essere installato e utilizzato sotto la supervisione di un adulto.
- ⚠ Leggere attentamente ogni passo e seguire l'ordine corretto.
- ⚠ Rimuovere tutti gli imballaggi, separare e contare tutte le parti e tutti gli accessori.
- ⚠ Si prega di assicurarsi che tutte le parti siano installate correttamente, un'installazione errata può portare a un pericolo.
- ⚠ Si consiglia, ove possibile, di montare tutti gli articoli vicino alla zona in cui verranno posti in uso, per evitare di spostare inutilmente il prodotto una volta assemblato.
- ⚠ Garantire una superficie sicura durante il montaggio e posizionare il prodotto sempre su una superficie piana, stabile.
- ⚠ Si prega di controllare e mantenere regolarmente, le parti più importanti per la sospensione, il fissaggio, l'ancoraggio a terra.



Parco Acquatico Gonfiabile
Età: 3-10 anni
Dimensioni Approssimative
del Parco Acquatico Gonfiabile
627 x 330 x 232 cm/21 x 11 x 8 piedi

⚠ AVVERTENZA

LA MANCATA OSSERVAZIONE DI QUESTE ISTRUZIONI PUÒ CAUSARE GRAVI LESIONI GRAVI O MORTE.

Non utilizzare prolunghe con questo prodotto. Solo per uso esterno. Leggere tutte le istruzioni prima di assemblare questo dispositivo gonfiabile.

Conservare le istruzioni per un uso futuro.

GLI UTENTI DEVONO PRESTARE ATTENZIONE ALL'ORIENTAMENTO DEL PRODOTTO RISPETTO AL SOLE.

La superficie dello scivolo non deve essere posizionata sotto il sole, poiché può abbagliare i bambini durante l'utilizzo.

I bambini (soprattutto i più piccoli) sono ad alto rischio di annegamento.

Sorvegliare attentamente i bambini che si trovano all'interno o in prossimità di questo dispositivo gonfiabile. Svuotare il dispositivo gonfiabile o impedirne l'accesso quando non viene utilizzato.

Rischio di Annegamento:

- Impedire ai bambini non sorvegliati di accedere alla piscina installando una recinzione o un'altra barriera approvata intorno a tutti i lati del parco acquatico.



- Le leggi o i codici statali o locali possono richiedere recinzioni o altre barriere approvate. Controllare le leggi e i codici statali o locali prima di installare il parco acquatico.

- L'annegamento avviene silenziosamente e rapidamente. Assegnare a un adulto di sorvegliare il parco acquatico.

- Tenere i bambini sotto il vostro sguardo quando sono all'interno o in prossimità del parco acquatico e quando riempire e svuotare il parco acquatico.

- Quando si cerca un bambino scomparso, controllare prima la piscina, anche se si pensa che il bambino sia in casa.

Primo soccorso:

- Tenere un telefono funzionante e un elenco di numeri di emergenza vicino al parco acquatico.
- Ottenere la certificazione di rianimazione cardiopolmonare (RCP) per poter intervenire in caso di emergenza.

ELENCO DELLE PARTI



(A) x1
Parco acquatico



(B) x1
Kit di montaggio
del tubo



(C) x1
Borsa per
il trasporto



(D) x8
Paletti per
parco acquatico



(E) x4
Toppe di
riparazione



(F) x2
Anelli di nuoto



(G) x1
Palla in PVC

AVVERTENZA DI SICUREZZA: MONTAGGIO

È NECESSARIA LA SUPERVISIONE E L'INSTALLAZIONE DA PARTE DI UN ADULTO. Questo prodotto deve essere gonfiato o sgonfiato solo da un adulto competente. Seguire tutte le istruzioni fornite.

AVVERTENZA! Le cadute su superfici dure possono provocare lesioni alla testa o altre lesioni gravi.

Non collocare mai su cemento, asfalto, legno, terra battuta o altre superfici dure.

La presenza di moquette su pavimenti duri può non prevenire le lesioni.

AVVERTENZA

- Solo per uso domestico. Destinato esclusivamente all'uso domestico all'aperto. Non utilizzare in aree pubbliche o come noleggio.

- Il prodotto è pesante. Fare attenzione quando si solleva.

- Il prodotto non deve mai essere trascinato su cemento, pavimentazione o altre superfici ruvide.

AVVERTENZA

- Tenere lontano dal fuoco. Tenere il tessuto lontano da fiamme e fonti di accensione.

- Non installare in condizioni di vento o pioggia: improvvise raffiche di vento potrebbero sollevare il prodotto da terra.

- Il prodotto può essere installato con qualsiasi orientamento rispetto al sole, dal momento che non ci sono componenti metallici o superfici che possono assorbire un'eccessiva radiazione solare.

- Installare il prodotto solo in un luogo esterno che soddisfi i seguenti criteri:
 - Posizionare il prodotto su un terreno pianeggiante e su un'erba o un terreno solido per consentire l'uso corretto dei picchetti.
 - Il posizionamento su superfici inclinate o irregolari può causare il ribaltamento del prodotto.
 - I picchetti devono essere posizionati ad angolo per un migliore ancoraggio e devono essere conficcati sotto il terreno per evitare di inciampare.
 - Zone libere minime: Posizionare il prodotto ad almeno 2m/6,6FT di distanza da altri oggetti.
 - Gli oggetti da evitare includono, ma non solo, recinzioni, edifici, alberi, rami sospesi, fili del bucato, cavi elettrici, pareti, corpi o fonti d'acqua.
 - Assicurarsi che l'area intorno al prodotto sia sicura aggiungendo barriere di sicurezza, se necessario, per impedire l'accesso a bambini piccoli e animali domestici.
 - Il cavo elettrico non deve passare sotto i dispositivi riempiti d'aria (castello gonfiabile con scivolo) e non deve interferire con il funzionamento del prodotto.
- Il castello con scivolo utilizza un soffiatore (pompa d'aria) per mantenere la pressione, che deve essere utilizzato solo da un adulto.
- Per il gonfiaggio deve essere utilizzato solo il soffiatore in dotazione.
- Non utilizzare prolunghe con questo prodotto. Installare il prodotto il più vicino possibile alla fonte di alimentazione. Prima dell'uso, il soffiatore deve essere saldamente ancorato al terreno.
- **ATTENZIONE:** il soffiatore è in grado di spostare grandi volumi d'aria molto rapidamente. Collocare il soffiatore in un'area in cui

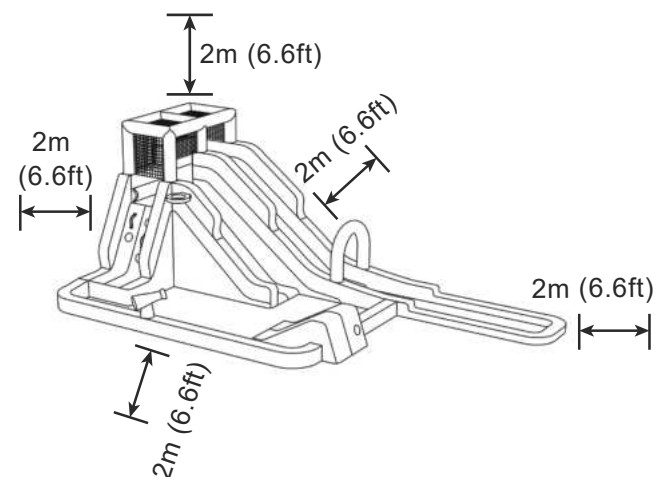
non aspiri sporcizia o foglie. Tenere il soffiatore e il cavo di alimentazione lontano da bambini, acqua e traffico.

- **ATTENZIONE:** Il soffiatore deve rimanere acceso e gonfiare continuamente il Parco Acquatico durante l'uso. Il flusso d'aria attraverso le cuciture è normale.
- Non utilizzare il prodotto se la velocità del vento supera i 30 km/ora (18.6 mph).
- Non consumare cibo, bevande o gomme da masticare su questo prodotto.

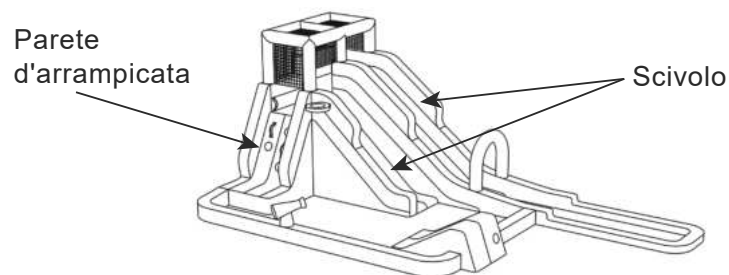
Zone Libere Minime

ZONE DI SPAZIO MINIMO

Assicurarsi che intorno al prodotto vi sia una zona libera da ostacoli di 2 m/6,6 piedi, recinzione, garage, casa, rami sporgenti, fili del bucato o cavi elettrici.



Posizionamento del Parco Acquatico



Designare una superficie piana e livellata che consenta uno spazio minimo di 2m/6,6FT intorno al parco acquatico.

NOTA: NON posizionare il parco acquatico con scivolo su una superficie dura come l'asfalto, il cemento o la terra battuta, in quanto potrebbero verificarsi gravi lesioni fisiche e danni al parco acquatico.

AREE DI MONTAGGIO

- Assicurarsi che l'area di montaggio sia piana e livellata e che sia priva di rocce, oggetti appuntiti o altri ostacoli.
- Non montare il parco acquatico in pendenza o in linea.
- Non montare il parco acquatico su terra battuta, asfalto, terrazza o qualsiasi altra superficie dura, poiché ciò potrebbe causare lesioni fisiche e/o danni al parco acquatico.
- Una volta che il parco acquatico è stato gonfiato o riempito d'acqua, non tentare di trascinarlo in un altro luogo.
- Controllare le norme locali della contea o della città per i requisiti di fissaggio della piscina.
- Proteggere la piscina dall'uso non autorizzato.

AVVERTENZE DI SICUREZZA:

LA MANCATA OSSERVANZA DI QUESTE ISTRUZIONI PUÒ CAUSARE GRAVI LESIONI GRAVI O MORTE.



Numero massimo di bambini:3



Età

3-10

anni



Limite di peso totale sullo scivolo e sulla piscina: 159 kg



Altezza massima individuale: 5Ft(152cm)



È richiesta la supervisione di un adulto è necessaria. Non lasciare i bambini incustoditi.



Non utilizzare oggetti appuntiti.



Non indossare scarpe o occhiali.



Non fare capriole.



Non scivolare con la testa verso il basso.



Non lotta.



Limite di peso individuale: 53 kg



Non mettere le mani o i piedi sulla rete.



Non utilizzare in condizioni di vento.



Non lasciarlo sotto la pioggia.



Non permettere ai bambini di toccare il ventilatore o il cavo elettrico.



Deve essere fissato con picchetti.

- È necessaria una costante e competente supervisione da parte di un adulto dei bambini e degli altri giovani utenti.
- Mantenere l'area intorno al prodotto pulita e sgombra da oggetti per evitare scivolamenti e cadute.
- Istruire i bambini sull'uso corretto del prodotto. Non utilizzare il prodotto in modo diverso da quello previsto.
- Caschi, copricapi, scarpe, occhiali, indumenti larghi, sciarpe, cappucci o indumenti con coulisse non devono essere indossati durante l'uso di questo prodotto.
- Non inserire altri giocattoli o oggetti all'interno del prodotto.
- Istruire i bambini a non attaccare al prodotto oggetti non specificamente progettati per l'uso con l'attrezzatura, come ad esempio, ma non solo, corde per saltare, stendibiancheria, guinzagli per animali, cavi e catene, poiché potrebbero causare un rischio di strangolamento.
- Tenere gli animali domestici lontani dal prodotto.

Non allontanare gli animali domestici dal prodotto e non avvicinarsi alle pareti laterali, in particolare all'apertura.

- Non saltare sopra o sotto il prodotto.
- Non far giocare insieme bambini con peso e altezza non omogenei.
- L'altezza massima di caduta del dispositivo gonfiabile è di 142 cm/4,65 piedi.
- Asciugare accuratamente prima dell'uso.

- Il peso totale dei bambini non deve superare i 159 kg sullo scivolo e sulla piscina.
- Su ogni scivolo e arrampicata è ammesso un solo bambino alla volta.
- I bambini non devono scivolare a pancia in giù.
- Non lasciare che i bambini camminino sul lato in cui è attaccato il motore di soffiaggio.
- Asciugare sempre il prodotto prima di riporlo.
- Non utilizzare mai il prodotto come dispositivo di galleggiamento o di salvataggio.
- I bambini possono annegare con quantità d'acqua molto piccole. Svuotare la piscina quando non viene utilizzata.
- Non installare la piscina per bambini su cemento, asfalto o altre superfici dure.
- Controllare sempre il prodotto e tutti i suoi punti di ancoraggio durante l'uso, e fissarlo nuovamente, se necessario. Controllare sempre che non vi sia un'eccessiva perdita d'aria e gonfiarlo di nuovo prima di consentire la continuazione del gioco.
- Essendo un prodotto per esterni, questo gonfiabile è soggetto a usura e deterioramento.
- Mantenere il prodotto in condizioni di manutenzione adeguate e prestare attenzione ai segni di cedimento del tessuto.
- Le superfici deboli o lacerate devono essere riparate tempestivamente.
- Se il prodotto contiene una piscina:
 - Non tuffarsi o saltare nell'area della piscina.
 - Non sedersi sui bordi della piscina perché potrebbero verificarsi allagamenti.

- Scaricare sempre il prodotto dopo l'uso. Non lasciarlo gonfio o pieno d'acqua per tutta la notte.
- Mantenere pulita l'area della piscina per evitare malattie. Istruire tutti i bambini a non bere l'acqua della piscina e di praticare una buona igiene.
- Prima e durante l'uso, controllare che non ci siano perdite d'aria. Controllare che la soffiante sia collegato.
- Controllare sempre il prodotto e tutti i suoi punti di ancoraggio prima e durante l'uso, e durante l'uso e, se necessario, fissarli nuovamente.
- Se applicabile, rimuovere acqua e detriti dai gradini della tasca dopo ogni ciclo di gioco.
- Dopo il gonfiaggio, il soffiante deve funzionare ininterrottamente mentre i bambini giocano.
- Prima di sgonfiare, rimuovere tutti i bambini.
- Sgonfiare sempre il prodotto dopo l'uso e conservarlo al coperto.

Il prodotto deve essere periodicamente esaminato per individuare eventuali condizioni di non sicurezza, quali: cavo, spina, alloggiamento o parti danneggiate; nel caso in cui si riscontrino tali danni, il prodotto non deve essere utilizzato fino a quando non viene riparato correttamente.

Non lasciare mai il ventilatore all'aperto sotto la pioggia o le intemperie quando non viene utilizzato. Consultare le istruzioni per l'installazione, lo stoccaggio, la manutenzione e la cura.

- Il prodotto può essere installato con qualsiasi orientamento rispetto al sole, dal momento che non ci sono componenti o superfici metalliche che possano assorbire un'eccessiva radiazione solare.

- Cambiare frequentemente l'acqua delle piscine per bambini (soprattutto in caso di caldo) o quando si nota un'evidente contaminazione.

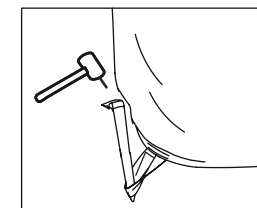
Montaggio



GONFIAGGIO & FISSAGGIO

Fissare il parco acquatico al terreno con i picchetti in dotazione.

Per evitare di inciampare, tirare gli occhielli dei picchetti fino in fondo e poi conficcare completamente i picchetti nel terreno.



Giocare nel Parco Acquatico

NOTA: è normale che dal pavimento della piscina e da altre zone bagnate del parco acquatico con scivolo si formino delle bolle d'aria.

SCIVOLO

1. Arrampicarsi sulla parete di arrampicata fino alla cima dello scivolo.
2. Sedersi in cima con i piedi rivolti verso il basso dello scivolo.
3. Spostarsi in avanti e scivolare giù nell'area degli spruzzi.
4. NON scivolare a pancia in giù o a testa in giù.
5. Non guardare il sole quando si scivola.

Picchettamento del Parco Acquatico

⚠ ATTENZIONE

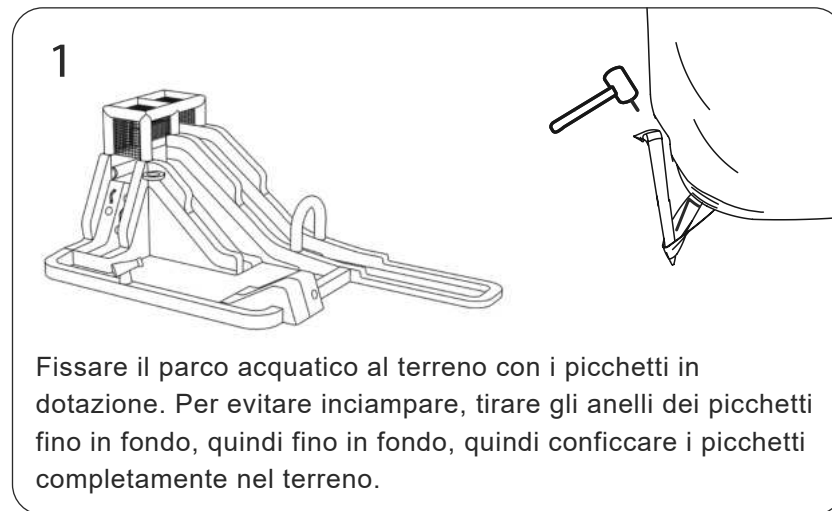
Il parco acquatico e tutti i suoi punti di ancoraggio devono essere controllati prima e durante l'uso.

Gonfiare o fissare nuovamente, se necessario. NON lasciare che i bambini giochino sul parco acquatico finché non è completamente gonfio!

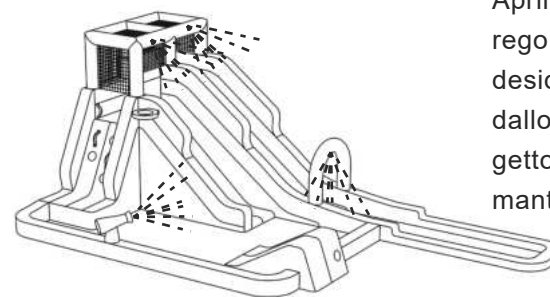
⚠ ATTENZIONE AL PARCO ACQUATICO:

Inserire completamente i picchetti nel terreno per evitare il rischio di inciampare. Non utilizzare lo scivolo finché un adulto non lo ha montato, picchettato e gonfiato completamente. Non installare o gonfiare il parco acquatico in condizioni di vento e/o di pioggia,

poiché le raffiche di vento potrebbero rendere il parco instabile e, eventualmente, sollevarlo da terra.



Gruppo di Spruzzatura del Parco Acquatico



Aprire il tubo da giardino e regolare la pressione come desiderato. Assicurarsi che dallo spruzzatore esca un getto d'acqua costante e mantenere i vetrini bagnati.

⚠ ATTENZIONE

- I bambini possono annegare in una quantità d'acqua molto piccola. Svuotare la piscina quando non viene utilizzata.

- Per evitare il rischio di lesioni, scivolare sullo scivolo SEMPRE con i piedi per primi.

Non scivolare MAI a pancia in giù o a testa in giù.

- Un solo bambino deve trovarsi sullo scivolo e arrampicarsi alla volta.
- Il peso totale dei bambini non deve superare le 350 libbre/159 kg (peso massimo individuale=117 libbre/53 kg) sulla superficie gonfiata.
- Non scivolare MAI dallo scivolo finché l'area degli spruzzi non è libera.
- Non scivolare o saltare dalla parete di arrampicata.



Avvertenze sull'Acqua

IMPORTANTE

Per evitare lesioni gravi o morte, prestare attenzione a tutti i segnali di avvertimento stampati sul parco acquatico.

Tali segnali sono riportati di seguito:

⚠ PERICOLO

NON SI POSSONO FARE IMMERSIONI O SALTI IN ACQUE POCO PROFONDE

L'IMMERSIONE PUÒ PROVOCARE LESIONI PERMANENTI O MORTE

- I BAMBINI DEVONO ESSERE ACCOMPAGNATI DA UN ADULTO.
- È VIETATO CORRERE, SALTARE O GIOCARE IN PISCINA O NELLE SUE VICINANZE
- NON È CONSENTITO L'USO DI VETRI NELL'AREA DELLA PISCINA




PER EVITARE LESIONI GRAVI, TUTTI GLI UTENTI DELLA PISCINA DEVONO CONOSCERE E SEGUIRE QUESTE REGOLE DI SICUREZZA.



a) Pittogramma di azione obbligatoria



b) Pittogramma di divieto

Attenzione: Non lasciare mai il bambino incustodito - pericolo di annegamento

AVVERTENZA

ATTENZIONE! ALCUNE SUPERFICI DEL PARCO ACQUATICO SONO SCIVOLOSE E POSSONO RAPPRESENTARE UN RISCHIO DI INCIAMPO.

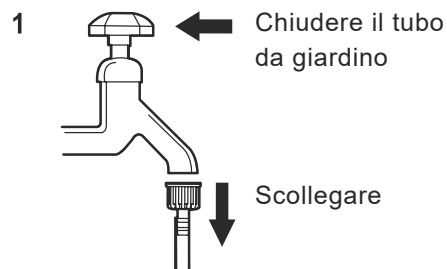
Drenaggio & Sgonfiaggio

IMPORTANTE – Il parco acquatico gonfiabile con scivolo deve essere svuotata di tutta l'acqua ed essere **COMPLETAMENTE ASCIUTTA** prima di essere riposta per evitare muffe e funghi.

NON piegare e riporre il parco acquatico con scivolo se rimane dell'umidità.

IMPORTANTE: tutti i bambini devono uscire dal parco acquatico con scivolo prima di sgonfiarla o di scaricare l'acqua.

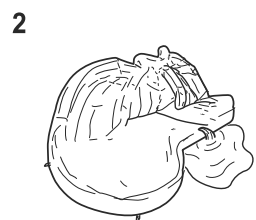
IMPORTANTE - Per ottenere risultati ottimali, 2-4 persone devono svuotare e spostare il parco acquatico con scivolo.



1 Chiudere il tubo da giardino

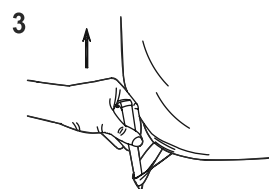
Scollegare

Chiudere il tubo da giardino e scollegarlo dal tubo di plastica trasparente.



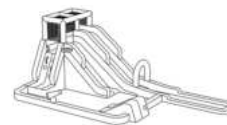
2 Sollevare il fondo della piscina da un lato all'altro per far defluire l'acqua rimasta.

Quando il parco acquatico con scivolo si gonfia, l'acqua trova il punto più basso e defluisce dalle pareti della piscina che crollano.



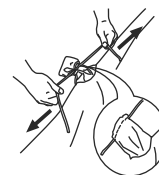
3 Rimuovere i picchetti e spostare il parco acquatico con scivolo lontano dall'acqua prosciugata in un'area asciutta.

4



Lasciare il parco acquatico con lo scivolo gonfiato fino a quando tutta l'acqua rimanente non sarà evaporata e il parco acquatico sarà asciutto. Ciò può richiedere 2 ore o più a seconda delle condizioni atmosferiche.

5



Slegare il cordoncino dal tubo di uscita corto e lasciare che il parco acquatico con scivolo si sgonfi completamente. Rimuovere il tubo flessibile e avvolgerlo senza piegature.

IMMAGAZZINAMENTO

1 Solo ripiegare

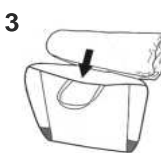


2



Comprimere l'aria mentre si arrotola il prodotto gonfiabile

3



ISTRUZIONI PER LA RIPARAZIONE DELLE TOPPE

⚠ AVVERTENZA!

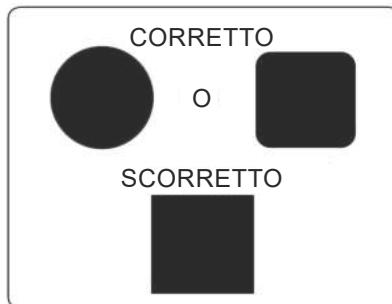
I cerotti di riparazione devono essere applicati solo da un adulto. **TENERE FUORI DALLA PORTATA DEI BAMBINI.**

ISTRUZIONE:

1. Sgonfiare l'articolo, pulire l'area e lasciarla asciugare accuratamente.
2. Tagliare una parte della toppa della misura necessaria e arrotondare gli angoli. (Vedere figura).
3. Rimuovere il supporto adesivo dal materiale della toppa, posizionare la toppa sull'area danneggiata e lisciare eventuali bolle.
4. Lasciare riposare per 30 minuti prima di gonfiare nuovamente.

ISTRUZIONI PER LA MANUTENZIONE DEL PARCO ACQUATICO

- Come un prodotto per esterni, il parco acquatico è soggetto a usura e deterioramento. Controllare che non vi siano segni di cedimento del tessuto; le superfici deboli o lacerate devono essere riparate tempestivamente.
- Per mantenere il prodotto pulito: pulire il parco acquatico o il soffiatore con un panno asciutto o un panno inumidito con una soluzione detergente e igienizzante neutra, non infiammabile e non tossica o con acqua pura.
- Il prodotto non deve mai essere conservato bagnato. Lasciare asciugare prima di arrotolare.



DISPOSIZIONE

- Smontare e smaltire l'apparecchiatura in modo tale che al momento dello smaltimento non sussistano condizioni di pericolo.
- Il soffiatore deve essere restituito a un centro di raccolta.

ISTRUZIONI PER LA MANUTENZIONE DEL SOFFIATORE

- Il soffiatore deve essere scollegato prima della manutenzione.
- Se il cavo di alimentazione è danneggiato, deve essere sostituito da personale qualificato per evitare un pericolo.
- Il prodotto deve essere esaminato periodicamente per verificare l'eventuale presenza di condizioni di non sicurezza, quali cavo, spina, alloggiamento o parti danneggiate; nel caso in cui si riscontrino tali danni, il prodotto non deve essere utilizzato fino a quando non viene riparato correttamente. Se questi controlli non vengono eseguiti, il prodotto potrebbe ribaltarsi o diventare pericoloso.
- Il soffiatore non necessita di lubrificazione e non ha parti riparabili dall'utente. Non tentare di effettuare la manutenzione del soffiatore.
- Non immergere il soffiatore in acqua. Per la pulizia, passare un panno umido.
- Controllare regolarmente le aperture di aspirazione e di uscita e tenerle libere da sporco, foglie, ecc.
- Quando non viene utilizzato, conservare il soffiatore al chiuso in un luogo asciutto.

- Conservare il soffiatore in posizione verticale su una superficie stabile.
- Avvolgere il cavo e posizionarlo accanto al soffiatore.
- Quando si utilizza il soffiatore, non posizionare il cavo in aree trafficate, in zone umide o con acqua.
- Il soffiatore è un soffiatore ad alto volume ed è in grado di spostare grandi volumi d'aria molto rapidamente. Posizionare il soffiatore in un'area in cui non aspiri sporcizia o foglie.

Prendiamoci cura dell'ambiente!

Il simbolo del bidone della spazzatura indica che il prodotto non deve essere smaltito insieme agli altri rifiuti domestici. Per lo smaltimento dell'articolo si prega di utilizzare i punti di raccolta o le strutture di riciclaggio designate.



Conservare questo manuale perché contiene informazioni importanti.

PL



Zanim Zaczniesz

Przeczytaj uważnie wszystkie instrukcje i zachowaj je na przyszłość.

Uwaga

Uwaga: Produkt wyłącznie do użytku domowego

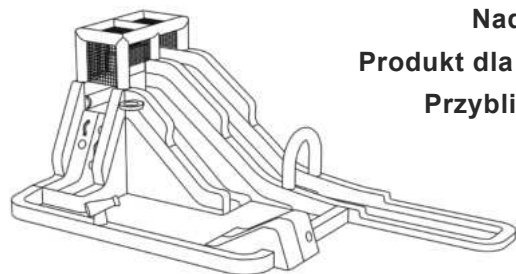
Uwaga: Dzieci mogą używać tego produktu jedynie pod nadzorem dorosłych.

Niebezpieczeństwo: Trzymaj wszystkie małe części i opakowania tego produktu z dala od niemowląt i dzieci - w przeciwnym razie mogą stwarzać ryzyko zadławienia.

Niebezpieczeństwo: Brak mocowania może spowodować ryzyko przewrócenia lub upadku.

Ogólne ostrzeżenia

- ⚠ Produkt musi być złożony i używany pod nadzorem osoby dorosłej.
- ⚠ Przeczytaj uważnie każdy krok i postępuj we właściwej kolejności.
- ⚠ Usuń opakowanie i upewnij się, że zestaw zawiera wszystkie części i elementy montażowe.
- ⚠ Upewnij się, że wszystkie części są poprawnie połączone, nieprawidłowa instalacja może prowadzić do wypadku.
- ⚠ Zalecamy, aby w miarę możliwości wszystkie elementy były montowane w pobliżu miejsca, w którym będą używane, aby uniknąć niepotrzebnego przenoszenia produktu po złożeniu.
- ⚠ Zapewnij bezpieczną przestrzeń roboczą podczas montażu i upewnij się, że produkt znajduje się na płaskiej i stabilnej powierzchni.
- ⚠ Należy regularnie sprawdzać i konserwować najważniejsze części produktu takie jak mocowania czy zakotwiczenie do podłoża.



Nadmuchiwany park wodny
Produkt dla dzieci w wieku: 3-10 lat
Przybliżone wymiary produktu:
627 x 330 x 232 cm

OSTRZEŻENIE

NIEZASTOSOWANIE SIĘ DO INFORMACJI ZAWARTYCH W NINIEJSZEJ INSTRUKCJI MOŻE SPOWODOWAĆ POWAŻNE OBRAŻENIA, A NAWET ŚMIERĆ.

Nie używaj przedłużacza. Produkt przeznaczony jest wyłącznie do użytku na zewnątrz.

Przed przystąpieniem do montażu zapoznaj się z instrukcją. Zachowaj instrukcję do wykorzystania w przyszłości.

ZACHOWAJ SZCZEGÓLNA OSTROŻNOŚĆ PODCZAS ZABAWY W PEŁNYM SŁOŃCU.

Zjeżdżalnia nie powinna być skierowana w stronę słońca, ponieważ długotrwałe promieniowanie słoneczne może wywołać zawroty głowy u dzieci.

Dzieci (zwłaszcza małe) są narażone na niebezpieczeństwo utonięcia. Nie zostawiaj dzieci bez nadzoru, gdy korzystają z produktu lub znajdują się w jego pobliżu.

Spuść powietrze z parku wodnego lub odpowiednio go zabezpiecz, gdy nie jest używany.

Ryzyko utonięcia:

- Odpowiednio zabezpiecz park wodny, aby uniknąć użytkowania bez zezwolenia oraz bez nadzoru osoby dorosłej.
- W razie potrzeby umieść barierki zabezpieczające, aby uniemożliwić dostęp do produktu małym dzieciom i zwierzętom.
- Ryzyko utonięcia - utonięcie następuje szybko i cicho, podczas korzystania z parku wodnego dzieci powinny znajdować się pod stałym nadzorem osoby dorosłej.
- Nie zostawiaj dzieci bez nadzoru, gdy korzystają z produktu lub znajdują się w jego pobliżu oraz podczas napełniania produktu wodą.
- Jeśli straciłeś dziecko z oczu, w pierwszej kolejności sprawdź brodzik z wodą, aby upewnić się, że dziecku nie grozi niebezpieczeństwo.



Pierwsza pomoc:

- Zawsze miej przy sobie działający telefon i listę numerów alarmowych.
- Naucz się zasad resuscytacji krążeniowo-oddechowej, tak aby móc udzielić pierwszej pomocy.

LISTA CZĘŚCI



A x1
Park wodny



B x1
Zestaw montażowy węża



C x1
Torba transportowa



D x8
Kotek mocujący



(E) x4
Łatka
naprawcza



(F) x2
Pierścień



(G) x1
Piłka PVC

OSTRZEŻENIA DOTYCZĄCE BEZPIECZEŃSTWA: MONTAŻ

WYMAGANY STAŁY NADZÓR OSOBY DOROSŁEJ.

WYMAGANY MONTAŻ PRZEZ OSOBĘ DOROSŁĄ. Wyłącznie osoba dorosła może napełniać produkt powietrzem lub spuszczać powietrze. Postępuj zgodnie z instrukcją.

OSTRZEŻENIE! Upadek na twardą powierzchnię może spowodować obrażenia głowy lub inne poważne urazy ciała. Nie umieszczaj produktu na twardym podłożu, takim jak beton, asfalt lub drewno. Zabezpieczenie twardej powierzchni specjalną matą może okazać się niewystarczające.

OSTRZEŻENIE!

- Produkt jest przeznaczony wyłącznie do użytku domowego oraz na zewnątrz. Nie używaj produktu do celów komercyjnych ani w miejscach publicznych.
- Produkt jest bardzo ciężki - zachowaj szczególną ostrożność podczas jego podnoszenia.
- Nie ciągnij produktu po twardych lub nierównych nawierzchniach.

OSTRZEŻENIE!

- Trzymaj z dala od ognia. Trzymaj produkt i tkaninę z dala od źródeł ciepła i ognia.
- Nie rozkładaj, nie używaj ani nie wystawiaj produktu na działanie niekorzystnych warunków atmosferycznych, takich jak deszcz, burza, grad, śnieg, silny wiatr. Silny wiatr może porwać produkt.
- Produkt można umieścić w dowolnym położeniu względem słońca, ponieważ nie posiada metalowych elementów ani innych powierzchni, które mogą się nagrzewać.
- Umieść produkt na zewnątrz, w miejscu spełniającym następujące warunki:
 - Umieść produkt na równym i płaskim podłożu, np. na trawie lub ziemi, tak aby umożliwić prawidłowe użycie kołków mocujących.
 - Umieszczenie produktu na pochylonym lub nierównym podłożu może spowodować jego przewrócenie.
 - Dla lepszego zakotwiczenia kołki mocujące powinny być wbite w ziemię pod kątem. Powinny również znajdować się na równi z ziemią lub być wkopane w ziemię, aby zmniejszyć ryzyko potknięcia się o nie.
 - Umieść park wodny w odległości co najmniej 2 metrów od wszelkich innych obiektów, takich jak ogrodzenia, drzewa, budynki.
 - Obiekty, w pobliżu których nie należy umieszczać parku wodnego obejmują między innymi: ogrodzenia, budynki, drzewa, pochylone gałęzie, sznury na pranie, przewody elektryczne, ściany, zbiorniki wodne.
 - Upewnij się, że obszar wokół produktu jest bezpieczny. W razie potrzeby umieść barierki zabezpieczające, aby uniemożliwić dostęp do produktu małym dzieciom i zwierzętom.

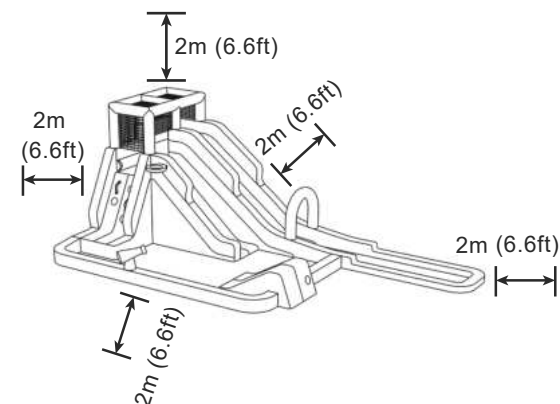
- Nie umieszczaj przewodów elektrycznych pod ani w pobliżu parku wodnego.

- Park wodny wymaga użycia dmuchawy. Dmuchawa może być obsługiwana wyłącznie przez osobę dorosłą.
- Do pompowania parku wodnego używaj wyłącznie dmuchawy dołączonej do zestawu.
- Nie używaj przedłużaczy z produktem. Umieść produkt jak najbliżej źródła zasilania. Dla bezpieczeństwa dmuchawa powinna zostać przymocowana do podłoża.
- **UWAGA:** Dmuchawa zasysa bardzo duże ilości powietrza. Umieść dmuchawę w miejscu, w którym nie będzie zasysać kurzu ani liści. Trzymaj dmuchawę i przewód zasilający z dala od dzieci. Trzymaj dmuchawę i przewód zasilający z dala od wody.
- **UWAGA:** Podczas użytkowania produktu dmuchawa powinna pozostać włączona, aby stale pompować powietrze. Ponieważ produkt jest stale dopompowywany, wypływ części powietrza jest normalny i konieczny.
- Nie używaj produktu, jeśli prędkość wiatru przekracza 30 km/h.
- Nie pozwalaj dzieciom na jedzenie i picie podczas zabawy na parku wodnym.

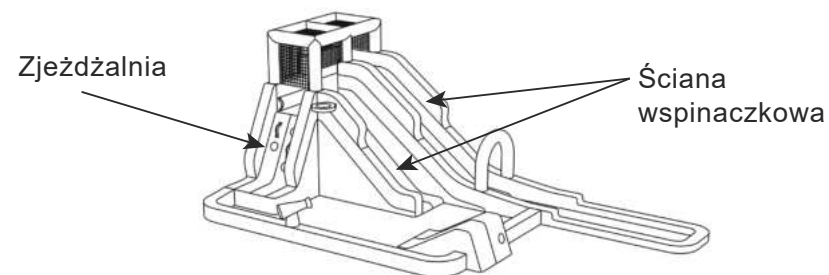
Minimalna odległość od innych obiektów

MINIMALNA ODLEGŁOŚĆ OD INNYCH OBIEKTÓW

Umieść park wodny w odległości co najmniej 2 metrów od wszelkich innych obiektów, takich jak ogrodzenia, drzewa, zbiorniki wodne, gałęzie, sznury lub przewody. Upewnij się, że obszar wokół produktu jest bezpieczny.



Wybór miejsca na park wodny



Umieść produkt na równym i płaskim podłożu, w odległości co najmniej 2 metrów od wszelkich innych obiektów.

UWAGA: Nie umieszczaj produktu na twardym podłożu, takim jak beton, asfalt lub drewno. Upadek na twardą powierzchnię może spowodować obrażenia głowy lub inne poważne urazy ciała.

MIEJSCE MONTAŻU

- Upewnij się, że nawierzchnia, na której planujesz umieścić produkt jest płaska i równa oraz wolna od kamieni, ostrych przedmiotów lub innych przeszkód.

- Nie umieszczaj parku wodnego na zboczu lub pochyłym terenie.
- Nie umieszczaj parku wodnego na twardym podłożu, takim jak beton, asfalt lub drewno, ponieważ może to spowodować obrażenia fizyczne lub uszkodzenie produktu.
- Po napompowaniu powietrzem lub napełnieniu produktu wodą, nie przestawiaj go w inne miejsce.
- Zapoznaj się z lokalnymi przepisami dotyczącymi zabezpieczenia basenów dla dzieci.
- Zabezpiecz park wodny przed użytkowaniem bez zezwolenia i nadzoru.

OSTRZEŻENIA DOTYCZĄCE BEZPIECZEŃSTWA:

NIEZASTOSOWANIE SIĘ DO PONIŻSZYCH OSTRZEŻEŃ MOŻE SPOWODOWAĆ POWAŻNE OBRAŻENIA, A NAWET ŚMIERĆ.



Maksymalna liczba dzieci: 3



Dla dzieci w wieku

3-10

lat



Maksymalne obciążenie zjeżdżalni i basenu: 159 kg



Maksymalny wzrost każdego dziecka: 152 cm



Wymagany stały nadzór osoby dorosłej. Nie zostawiaj dziecka bez nadzoru.



Trzymaj produkt z dala od ostrych przedmiotów.



Nie noś butów ani okularów.



Nie wykonuj przewrotów.



Nie zjeżdżaj głową w dół.



Nie przepychaj się.



Maksymalna waga każdego dziecka: 53 kg



Nie opieraj się rękami ani stopami o siatkę.



Nie używaj podczas wiatru.



Nie używaj podczas deszczu.



Trzymaj dmuchawę i przewód elektryczny z dala od dzieci.



Zamocuj za pomocą kołków mocujących.

- Podczas użytkowania parku wodnego wymagany jest stały nadzór osoby dorosłej.
- Utrzymuj obszar wokół produktu w czystości. Nie umieszczaj żadnych przedmiotów w parku wodnym lub w jego pobliżu, aby zapobiec poślizgnięciom i upadkom.
- Zapoznaj dzieci z zasadami prawidłowego użytkowania parku wodnego. Nie używaj produktu w sposób niezgodny z jego przeznaczeniem.
- Podczas użytkowania produktu dzieci nie mogą nosić nakryć głowy, butów, okularów, luźnej odzieży, szalików, odzieży z kapturem lub ze sznurkami.
- Nie umieszczaj żadnych przedmiotów w parku wodnym. Mogą one uszkodzić lub przedziurawić powierzchnię produktu.
- Poinstruuuj dzieci, aby nie wносиły do parku wodnego zabawek, ani żadnych innych przedmiotów, które nie są przeznaczone do użytku z produktem, a w szczególności lin i sznurków, które mogą stwarzać ryzyko uduszenia się.

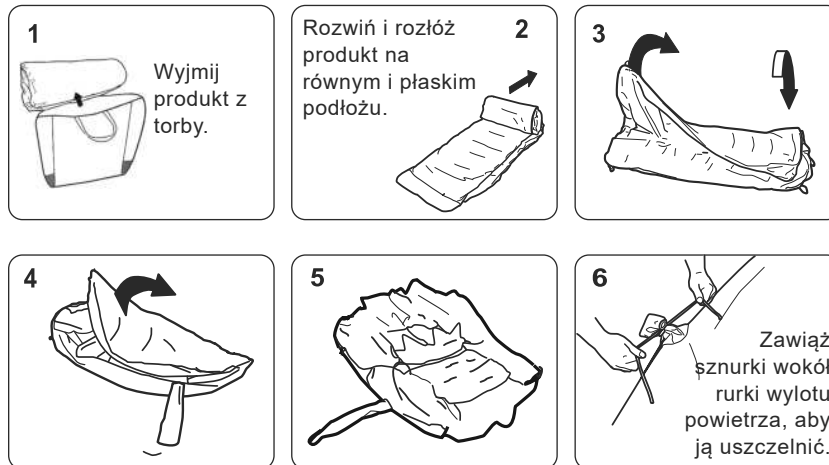
- Trzymaj park wodny z dala od zwierząt.
- Dziecko powinno podskakiwać z dala od innych dzieci oraz w odpowiedniej odległości od ścianek parku wodnego. Nie pozwalaj dziecku podskakiwać w brodziku lub w jego pobliżu.
- Nie pozwalaj dzieciom na wskakiwanie i wyskakiwanie z parku wodnego.
- Nie pozwalaj na wspólną zabawę dzieciom o różnej wadze i różnym wzroście.
- Maksymalna wysokość upadku z parku wodnego wynosi 142 cm.
- Dokładnie wysusz powierzchnię produktu przed użyciem.
- Całkowita waga dzieci nie może przekraczać 159 kg (na zjeżdżalni oraz w basenie).
- Ze zjeżdżalni i ścianki wspinaczkowej w jednym czasie może korzystać tylko jedno dziecko.
- Zabronione jest zjeżdżanie na brzuchu oraz z głową w dół.
- Trzymaj dmuchawę i przewód zasilający z dala od dzieci.
- Pozostaw produkt do całkowitego wyschnięcia przed złożeniem go w celu przechowywania.
- Produkt nie jest przeznaczony do użytku w wodzie lub podczas akcji ratunkowych.
- Dzieci mogą utonąć w bardzo małych ilościach wody. Opróżnij brodzik, gdy nie jest używany.
- Nie umieszczaj parku wodnego na betonie, asfalcie lub innej twardej powierzchni.
- Regularnie sprawdzaj park wodny i dmuchawę pod kątem potencjalnych uszkodzeń przewodu zasilającego, wtyczki, obudowy lub części. Sprawdzaj ubytek powietrza przed i w trakcie użytkowania.

- Jak każdy produkt przeznaczony do użytku na zewnątrz, park wodny z czasem ulegnie zużyciu i zniszczeniu.
- Dbaj o odpowiednią konserwację produktu. Regularnie sprawdzaj powierzchnię parku wodnego pod kątem ewentualnych uszkodzeń.
- W przypadku uszkodzenia powierzchni, napraw ją przy użyciu dołączonej do zestawu łatki naprawczej.
- Jeśli produkt wyposażony jest w brodzik, postępuj zgodnie z poniższymi instrukcjami:
- Nie pozwalaj dzieciom nurkować ani wskakiwać do brodzika.
- Nie pozwalaj dzieciom siadać na krawędziach brodzika, ponieważ woda może zacząć się przelewać.
- Zawsze opróżniaj produkt z wody i spuszczaaj powietrze po użyciu.
- Utrzymuj brodzik w czystości. Poinstruuuj dzieci, aby nie piły wody z brodzika i przestrzegały zasad higieny.
- Sprawdzaj ubytek powietrza przed i w trakcie użytkowania. Sprawdzaj czy dmuchawa jest prawidłowo podłączona.
- Regularnie sprawdzaj produkt i dmuchawę pod kątem potencjalnych uszkodzeń przewodu zasilającego, wtyczki, obudowy lub części.
- Jeśli to możliwe, po każdym użyciu spuść całą wodę i powietrze z parku wodnego.
- Podczas użytkowania produktu dmuchawa powinna pozostać włączona, aby stale pompować powietrze.
- Po opuszczeniu produktu przez wszystkie dzieci wyłącz dmuchawę i spuść powietrze.
- Po użyciu spuść całe powietrze. Przechowuj produkt w pomieszczeniu.

Produkt i dmuchawa powinny być regularnie sprawdzane pod kątem ewentualnych uszkodzeń, takich jak: uszkodzony przewód, wtyczka, obudowa lub części, a w przypadku stwierdzenia jakiegokolwiek uszkodzenia, nie powinny być używane do czasu jego naprawy. Nigdy nie zostawiaj dmuchawy ani parku wodnego na zewnątrz podczas deszczu. Zapoznaj się z instrukcjami dotyczącymi montażu, przechowywania, czyszczenia i konserwacji.

- Produkt można umieścić w dowolnym położeniu względem słońca, ponieważ nie posiada metalowych elementów ani innych powierzchni, które mogą się nagrzewać.
- Regularnie wymieniaj wodę w brodziku (szczególnie w czasie upałów, lub jeśli jest zanieczyszczona).

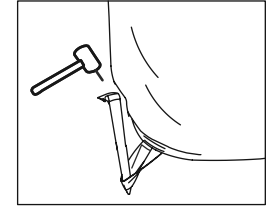
Montaż



MOCOWANIE PARKU WODNEGO

Przymocuj park wodny do podłoża za pomocą dostarczonych kołków mocujących.

Kołki powinny znajdować się na równi z ziemią lub być wkopane w ziemię, aby zmniejszyć ryzyko potknięcia się o nie.



Użytkowanie parku wodnego

UWAGA: Powstawanie pęcherzyków powietrza na dnie brodzika i innych obszarów zawierających wodę jest zjawiskiem normalnym.

ZJEŹDŻANIE

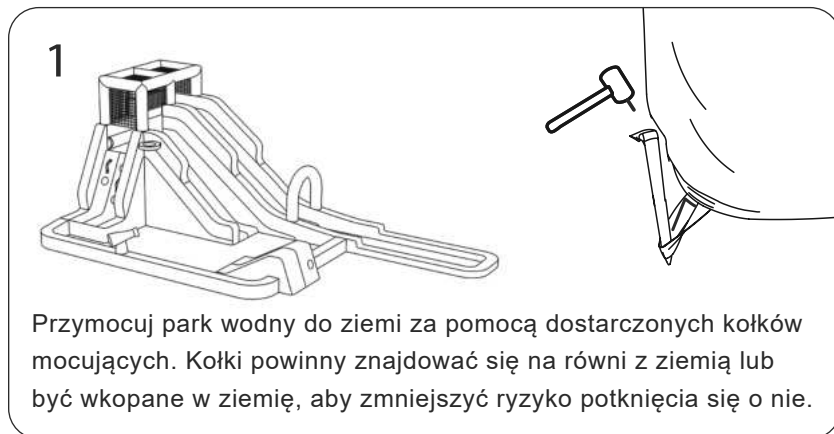
1. Wespnij się po ścianie wspinaczkowej na szczyt zjeżdżalni.
2. Usiądź na szczycie zjeżdżalni z nogami skierowanymi w dół.
3. Przesuń się do przodu i zjedź do brodzika z wodą.
4. Nie zjeżdżaj na brzuchu ani głową w dół.
5. Podczas zjeżdżania nie patrz prosto w słońce.

Mocowanie produktu do podłoża

⚠ UWAGA

Regularnie sprawdzaj stan napompowania parku wodnego oraz czy jest prawidłowo przymocowany do podłoża.

W razie potrzeby dopompuj produkt lub ponownie go zamocuj. Nie pozwalaj dzieciom na zabawę w parku wodnym, dopóki nie zostanie całkowicie napompowany.



Przymocuj park wodny do ziemi za pomocą dostarczonych kołków mocujących. Kołki powinny znajdować się na równi z ziemią lub być wkopane w ziemię, aby zmniejszyć ryzyko potknięcia się o nie.

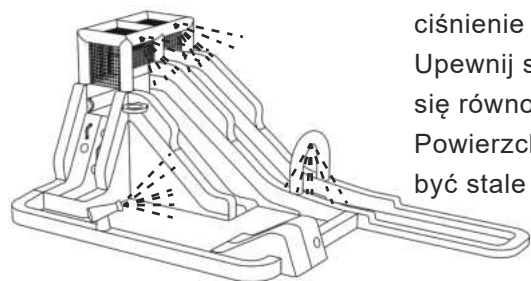
⚠ OSTRZEŻENIA DOTYCZĄCE PARKU WODNEGO:

Wbij kołki mocujące w ziemię, aby zmniejszyć ryzyko potknięcia się o nie.

Nie przystępuj do użytkowania parku wodnego dopóki nie zostanie on całkowicie zmontowany, napompowany i zamocowany do podłoża.

Nie rozkładaj parku wodnego podczas silnego wiatru lub deszczu, ponieważ wiatr może spowodować jego niestabilność, a nawet porwanie w powietrze.

Montaż węży natryskowych



Włącz wąż ogrodowy i wyreguluj ciśnienie wody.

Upewnij się, że z węża wydobywa się równomierny strumień wody.

Powierzchnia zjeżdżalni powinna być stale wilgotna.

⚠ OSTRZEŻENIA

- Dzieci mogą utonąć nawet w bardzo małej ilości wody. Opróżnij brodzik, gdy nie jest używany.
- Aby uniknąć ryzyka obrażeń, dopilnuj, aby dzieci zjeżdżały ze zjeżdżalni wyłącznie nogami w dół. Nie pozwalaj dzieciom zjeżdżać na brzuchu ani głową w dół.
- Ze zjeżdżalni i ścianki wspinaczkowej w jednym czasie może korzystać tylko jedno dziecko.
- Maksymalne obciążenie dmuchanych części parku wodnego nie może przekraczać 159 kg (maksymalna waga jednego dziecka wynosi 53 kg).
- Nie pozwalaj dziecku zjeżdżać dopóki inne dzieci nie opuszczą brodzika znajdującego się w obszarze zjeżdżalni.
- Nie pozwalaj dzieciom ześlizgiwać się ani zeskakiwać ze ścianki wspinaczkowej.

Ostrzeżenia dotyczące wody

WAŻNE

Aby uniknąć poważnych obrażeń lub śmierci, należy przestrzegać wszystkich informacji znajdujących na naklejkach ostrzegawczych umieszczonych na parku wodnym.

Wszystkie naklejki są przedstawione poniżej:

! NIEBEZPIECZEŃSTWO

NIE NURKUJ I NIE SKACZ DO WODY PŁYTKA WODA

SKAKANIE DO WODY MOŻE SPOWODOWAĆ POWAŻNE OBRAŻENIA LUB ŚMIERĆ



- DZIECI MUSZĄ ZNAJDOWAĆ SIĘ POD NADZOREM OSOBY DOROSŁEJ.
- NIE NALEŻY BIEGAĆ, SKAKAĆ ANI SZALEĆ W BRODZIKU LUB W JEGO POBLIŻU.
- NIE NALEŻY WNOŚIĆ DO BRODZIKA OSTRYCH ANI SZKLANYCH PRZEDMIOTÓW.



UŻYTKOWNICY MUSZĄ ZAPOZNAĆ SIĘ I PRZESTRZEGAĆ NINIEJSZYCH OSTRZEŻEŃ, ABY UNIKNĄĆ POWAŻNYCH OBRAŻEŃ.



OSTRZEŻENIE
ZACHOWAJ
OSTROŻNOŚĆ!
CZĘŚĆ
NAWIERZCHNI
PARKU
WODNEGO JEST
BARDZO ŚLISKA -
RYZYO
POTKNIĘCIA.



a) Oznaczenie nakazu.



b) Oznaczenie zakazu.

Ostrzeżenie: Nigdy nie zostawiaj dziecka bez nadzoru - ryzyko utonięcia.

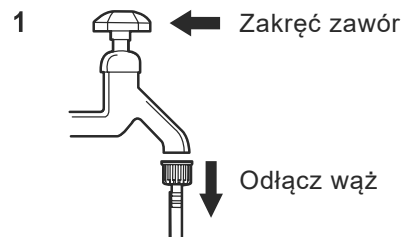
Spuszczanie wody i powietrza

WAŻNE — Przed złożeniem produktu spuść całą wodę i pozostaw produkt do całkowitego wyschnięcia, aby uniknąć powstawania pleśni.

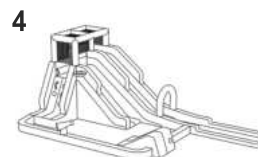
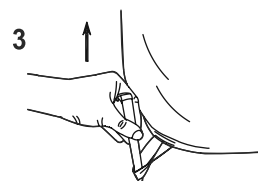
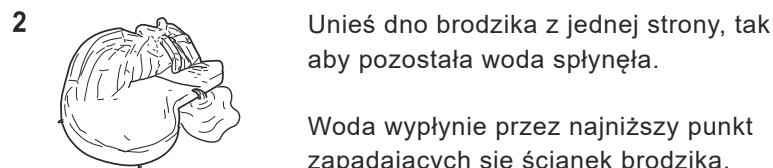
Nie składaj parku wodnego, dopóki całkowicie nie wyschnie.

WAŻNE - Wszystkie dzieci muszą opuścić park wodny przed przystąpieniem do spuszczenia wody lub powietrza.

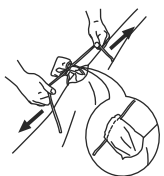
WAŻNE - Dla lepszych efektów, opróżnianie brodzika i spuszczenie powietrza z parku wodnego powinno być wykonywane przez 2-4 osoby.



Zakręć zawór, a następnie odłącz od niego wąż doprowadzający wodę.

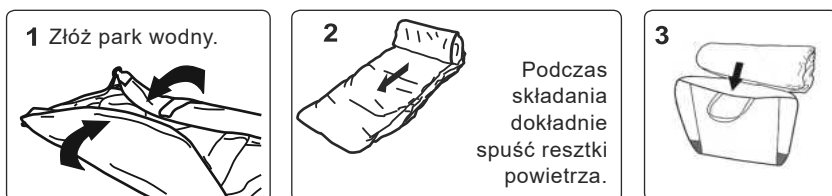


5



5. Rozwiąż sznurki wokół rurki wylotu powietrza. Pozostaw park wodny, aż całkowicie opróżni się z powietrza. Odłącz wąż, a następnie go zwiń.

PRZECHOWYWANIE



1 Złóż park wodny.

2

Podczas składania dokładnie spuść resztki powietrza.

3

ZESTAW NAPRAWCZY

⚠ OSTRZEŻENIE!!

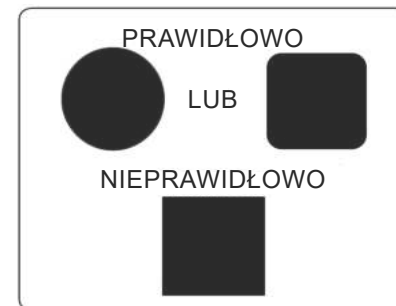
Wyłącznie osoba dorosła może naklejać łatki naprawcze.
TRZYMAJ ŁATKI NAPRAWCZE POZA ZASIĘGIEM DZIECI.

ETAPY NAKLEJANIA ŁATKI NAPRAWCZEJ:

1. Spuść powietrze z parku wodnego, wyczyść jego powierzchnię i pozostaw do całkowitego wyschnięcia.
 2. Przytnij łatkę do żądanej wielkości i zaokrąglij krawędzie. (zobacz rys.).
 3. Usuń zabezpieczenie z łatki. Umieść łatkę na uszkodzonym obszarze i wygładź wszystkie bąbelki powietrza.
- Odczekaj 30 minut przed ponownym napompowaniem parku wodnego.

KONSERWACJA PARKU WODNEGO

- Jak każdy produkt przeznaczony do użytku na zewnątrz, park wodny z czasem ulegnie zużyciu i zniszczeniu. Dbaj o odpowiednią konserwację produktu. Regularnie sprawdzaj powierzchnię pod kątem ewentualnych uszkodzeń.
- Aby utrzymać produkt w czystości: wycieraj park wodny/dmuchawę suchą ściereczką lub ściereczką zwilżoną neutralnym, niepalnym, nietoksycznym środkiem do czyszczenia lub samą wodą.
- Nie przechowuj produktu, dopóki nie wyschnie całkowicie. Przed złożeniem pozostaw produkt do całkowitego wyschnięcia.



UTYLIZACJA

- Zdemontuj produkt, a następnie zutylizuj go w sposób niezagrażający środowisku oraz zgodnie z lokalnymi przepisami.
- Zanieś dmuchawę do specjalnego punktu zbiórki urządzeń elektrycznych.

KONSERWACJA DMUCHAWY

- Odłącz dmuchawę przed przystąpieniem do czyszczenia, serwisowania lub naprawy.
- Jeśli przewód zasilający jest uszkodzony, w celu uniknięcia zagrożenia, musi zostać wymieniony przez wykwalifikowanego technika.

- Produkt i dmuchawa powinny być regularnie sprawdzane pod kątem ewentualnych uszkodzeń, takich jak: uszkodzony przewód, wtyczka, obudowa lub części, a w przypadku stwierdzenia jakiegokolwiek uszkodzenia, nie powinny być używane do czasu jego naprawy. Niezastosowanie się do tego ostrzeżenia może prowadzić do przewrócenia się produktu, a w konsekwencji do niebezpieczeństwa.
- Elementy dmuchawy nie wymagają smarowania specjalnym olejem. Nie próbuj samodzielnie naprawiać dmuchawy.
- Nie zanurzaj dmuchawy w wodzie. W celu czyszczenia przetrzyj powierzchnię dmuchawy przy użyciu wilgotnej ściereczki.
- Regularnie sprawdzaj otwory wlotowe i wylotowe i utrzymuj je w czystości.
- Nieużywaną dmuchawę przechowuj w ciepłym i suchym pomieszczeniu.
- Przechowuj dmuchawę w pozycji pionowej na stabilnym podłożu.
- Po odłączeniu od zasilania delikatnie zwiń przewód zasilający i umieść go obok dmuchawy.
- Podczas użytkowania nie umieszczaj przewodu w pobliżu obszaru ruchu, zbiorników wodnych lub w środowiskach o dużej wilgotności.
- Dmuchawa pracuje z dużą prędkością i przepuszcza duże ilości powietrza. Umieść ją w miejscu, w którym nie będzie zasysać kurzu ani liści.

Pomóż nam dbać o środowisko.

Przedstawiony symbol oznacza, że produktu nie wolno wyrzucać razem z innymi odpadami domowymi. W celu utylizacji należy udać się do odpowiedniego punktu.



Instrukcja zawiera ważne informacje. Zachowaj ją do wykorzystania w przyszłości.

EN



Return / Damage Claim Instructions

- ⚠ **DO NOT discard the box / original packaging.**
In case a return is required, the item must be returned in original box. Without this your return will not be accepted.
- ⚠ **Take a photo of the box markings.**
A photo of the markings (text) on the side of the box is required in case a part is needed for replacement. This helps our staff identify your product number to ensure you receive the correct parts.
- ⚠ **Take a photo of the damaged part (if applicable).**
A photo of the damage is always required to file a claim and get your replacement or refund processed quickly. Please make sure you have the box even if it is damaged.
- ⚠ **Send us an email with the images requested.**
Email us directly from marketplace where your item was purchased with the attached images and a description of your claim.

DE



Rücksendung / Beschädigung Anweisungen

- ⚠ **Werfen Sie den Karton / die Originalverpackung NICHT weg.**
Falls eine Rücksendung erforderlich ist, muss der Artikel in der Originalverpackung zurückgeschickt werden. Andernfalls wird Ihre Rücksendung nicht angenommen.
- ⚠ **Machen Sie ein Foto von der Beschriftung des Kartons.**
Für den Fall, dass ein Ersatzteil benötigt wird, benötigen wir ein Foto der Beschriftung (Text) auf der Seite des Kartons. So können unsere Mitarbeiter Ihre Artikelnummer identifizieren und sicherstellen, dass Sie die richtigen Teile erhalten.
- ⚠ **Machen Sie ein Foto des beschädigten Teils (falls zutreffend).**
Ein Foto des beschädigten Teils ist immer erforderlich, um eine Reklamation einzureichen und eine schnelle Bearbeitung Ihres Ersatzteils oder Ihrer Rückerstattung zu gewährleisten. Bitte stellen Sie sicher, dass Sie den Karton haben, auch wenn er beschädigt ist.
- ⚠ **Schicken Sie uns eine E-Mail mit dem gewünschten Foto.**
Schicken Sie uns eine E-Mail direkt vom Marktplatz, auf dem Sie den Artikel gekauft haben, mit den angehängten Fotos und einer Beschreibung Ihrer Reklamation.

FR



Instructions De Retour / Réclamation De Dommages

- ⚠ **NE PAS jeter la boîte/l'emballage d'origine.**
Dans le cas où un retour est requis, l'article doit être retourné dans sa boîte d'origine. Sans cela, votre retour ne sera pas accepté.
- ⚠ **Prenez une photo des marquages de la boîte.**
Une photo des marquages (texte) sur le côté de la boîte est requise au cas où une pièce serait nécessaire pour le remplacement. Cela aide notre personnel à identifier votre numéro de produit pour s'assurer que vous recevez les bonnes pièces.
- ⚠ **Prenez une photo des dommages (le cas échéant).**
Une photo des dommages est toujours requise pour déposer une réclamation et obtenir rapidement votre remplacement ou votre remboursement. Assurez-vous d'avoir la boîte même si elle est endommagée.
- ⚠ **Envoyez-nous un e-mail avec les images demandées.**
Envoyez-nous un e-mail directement depuis le marché où votre article a été acheté avec les images ci-jointes et une description de votre réclamation.

ES



Instrucciones de Devolución / Reclamación de Daños

- ⚠ **NO deseche la caja/embalaje original.**
En caso de que se requiera una devolución, el artículo debe ser devuelto en la caja original. Sin esto su devolución no será aceptada.
- ⚠ **Tome una foto de las marcas de la caja.**
Se requiere una foto de las marcas (texto) en el lado de la caja en caso de que se necesite una pieza para reemplazarla. Esto ayuda a nuestro personal a identificar su número de producto para asegurarse de que recibe las piezas correctas.
- ⚠ **Tome una foto de los daños (si procede).**
Una foto de los daños es siempre necesaria para presentar una reclamación y conseguir que su reemplazo o reembolso sea procesado rápidamente. Por favor, asegúrese de tener la caja aunque esté dañada.
- ⚠ **Envíenos un correo electrónico con las imágenes solicitadas.**
Envíenos un correo electrónico directamente desde el mercado donde se compró su artículo con las imágenes adjuntas y una descripción de su reclamación.

IT



Istruzioni Per La Restituzione / Reclamo Per Danni

- ⚠ **NON scartare la scatola / confezione originale.**
Nel caso in cui sia richiesto un reso, l'articolo deve essere restituito nella scatola originale. Senza la scatola originale il tuo reso non sarà accettato.
- ⚠ **Fare una foto dei contrassegni sulla scatola.**
È necessaria una foto dei contrassegni (testo) sul lato della scatola nel caso in cui la parte debba essere sostituita. Questo aiuta il nostro staff a identificare il numero del tuo prodotto per assicurarti di ricevere le parti corrette.
- ⚠ **Fare una foto di Danno (se è applicabile).**
Una foto del danno è sempre necessaria per presentare un reclamo e ottenere rapidamente la sostituzione o il rimborso. Assicurati di avere la scatola anche se è danneggiata.
- ⚠ **Inviarci una mail con le immagini richieste.**
Inviarci un'e-mail direttamente dal mercato in cui è stato acquistato il tuo articolo con le immagini allegate e una descrizione del tuo reclamo.

PL



Zwroty i reklamacje

- ⚠ **Nie wyrzucaj oryginalnego opakowania.**
Jeśli chcesz zwrócić produkt, musi znajdować się on w oryginalnym opakowaniu. Towar zwrócony w nieoryginalnym opakowaniu nie zostanie przyjęty.
- ⚠ **Zrób zdjęcie oznaczeń na opakowaniu.**
Jeśli jakkolwiek część wymaga wymiany, zrób zdjęcie oznaczeń kodu produktu, który znajduje się na opakowaniu. Pozwoli nam to zidentyfikować produkt i dostarczyć ci właściwą część.
- ⚠ **Zrób zdjęcie uszkodzonej części (jeśli dotyczy).**
Jeśli chcesz złożyć reklamację, zrób zdjęcie uszkodzonej części. Pozwoli nam to zatwierdzić reklamację i zlecić zwrot środków na twoje konto. Do złożenia reklamacji potrzebne będzie oryginalne opakowanie.
- ⚠ **Skontaktuj się z nami.**
Skontaktuj się z nami telefonicznie, mailowo lub poprzez formularz kontaktowy. Załącz zdjęcia produktu i opis roszczenia.