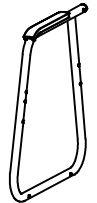
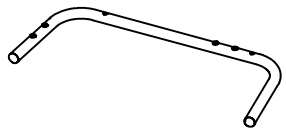
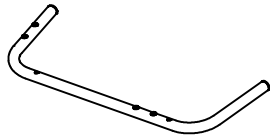




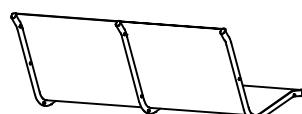

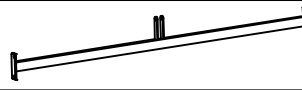
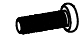






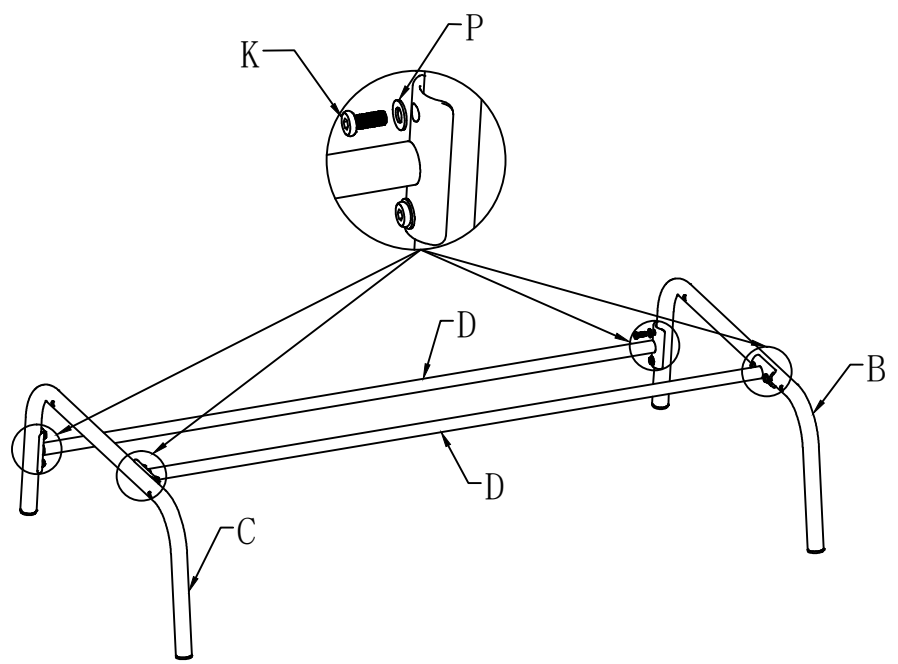
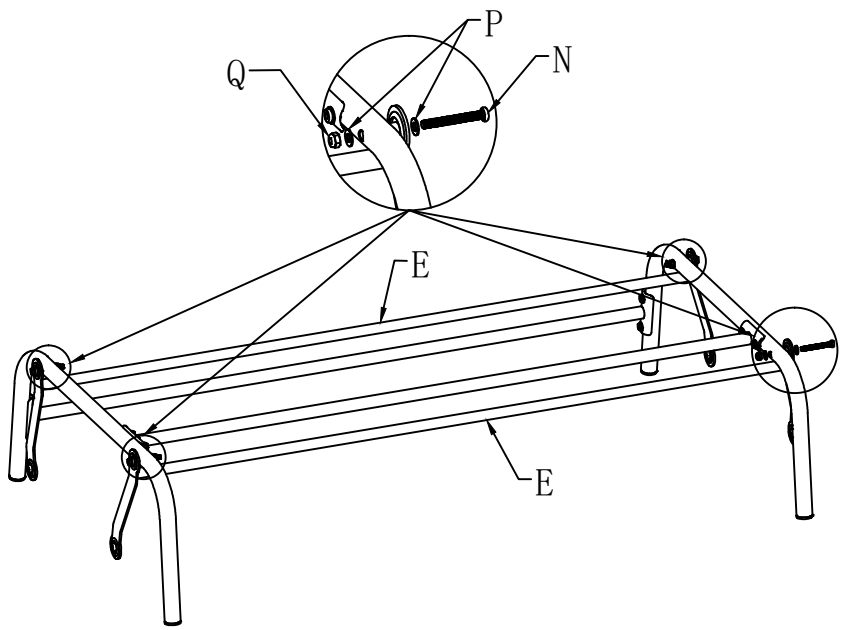


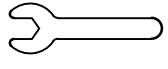

A		2
B		1
C		1
D		2
E		2
F		1
G		2
H		1
I		2
J		1
K	 M6*15	8
L	 M6*35	2
M	 M6*40	8
N	 M6*50	8
O	 M6*60	4
P		52
Q		22

### Step 1

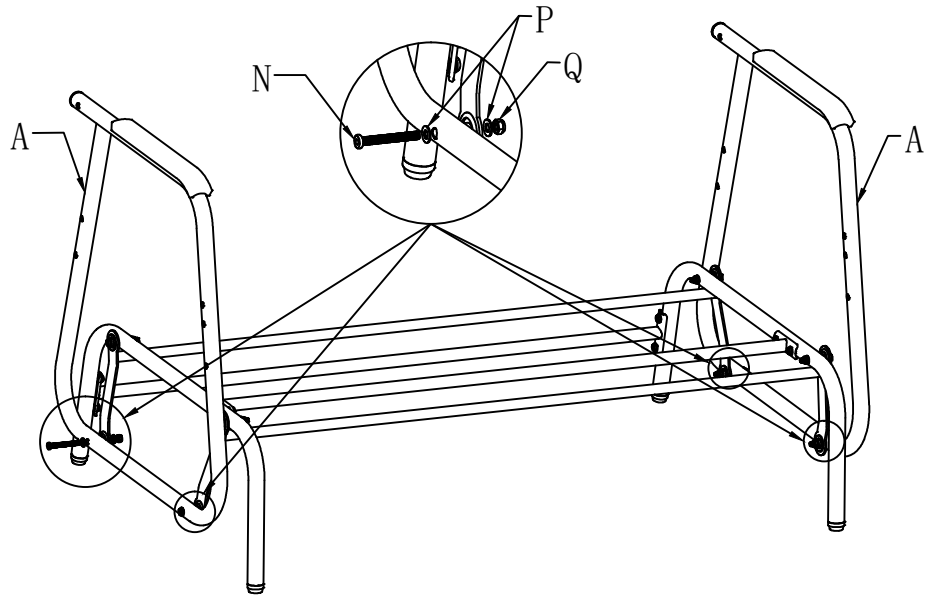


### Step 2

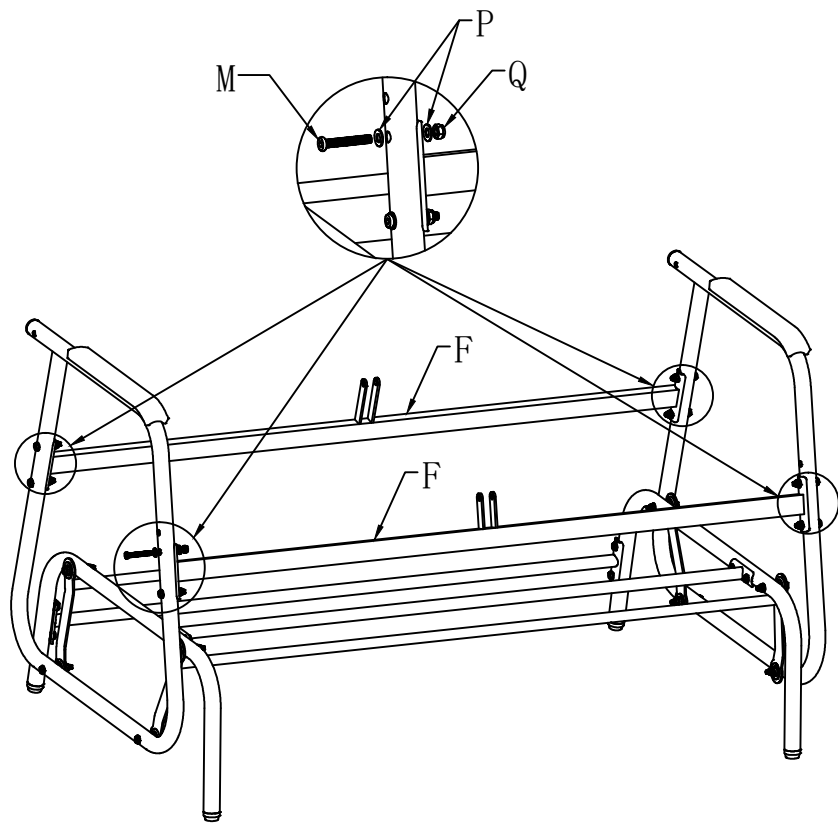


R		1
S		1

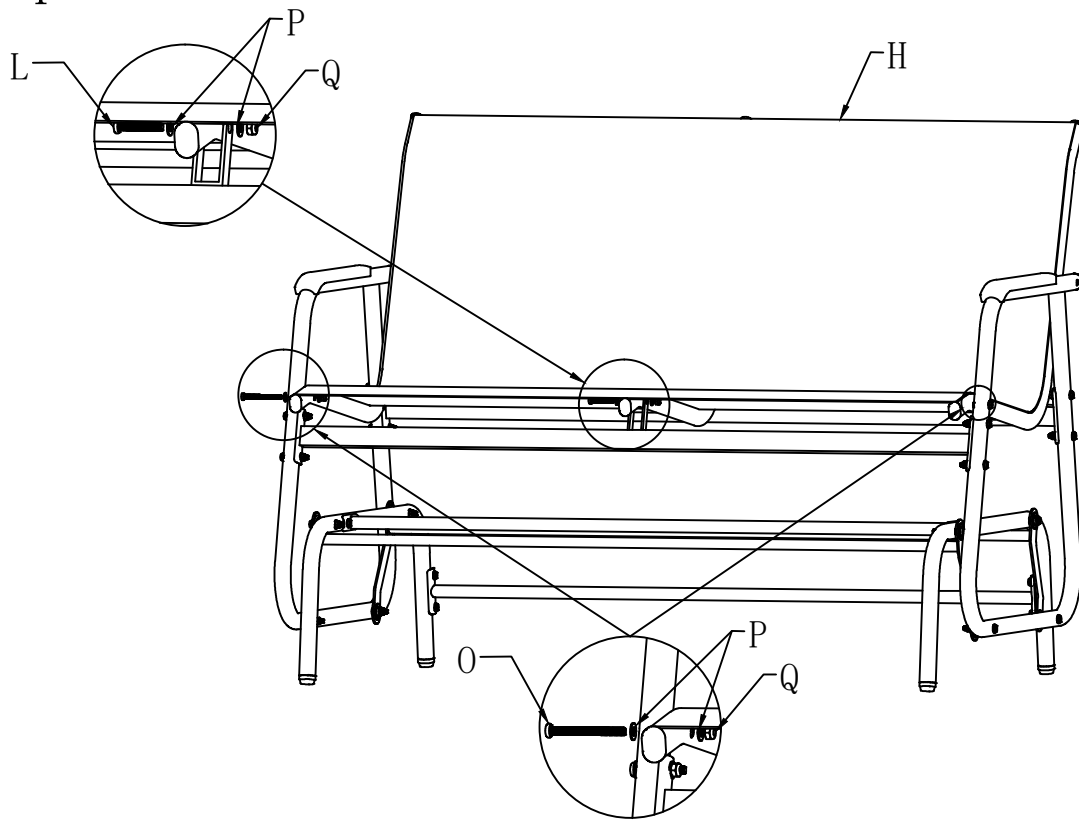
### Step 3



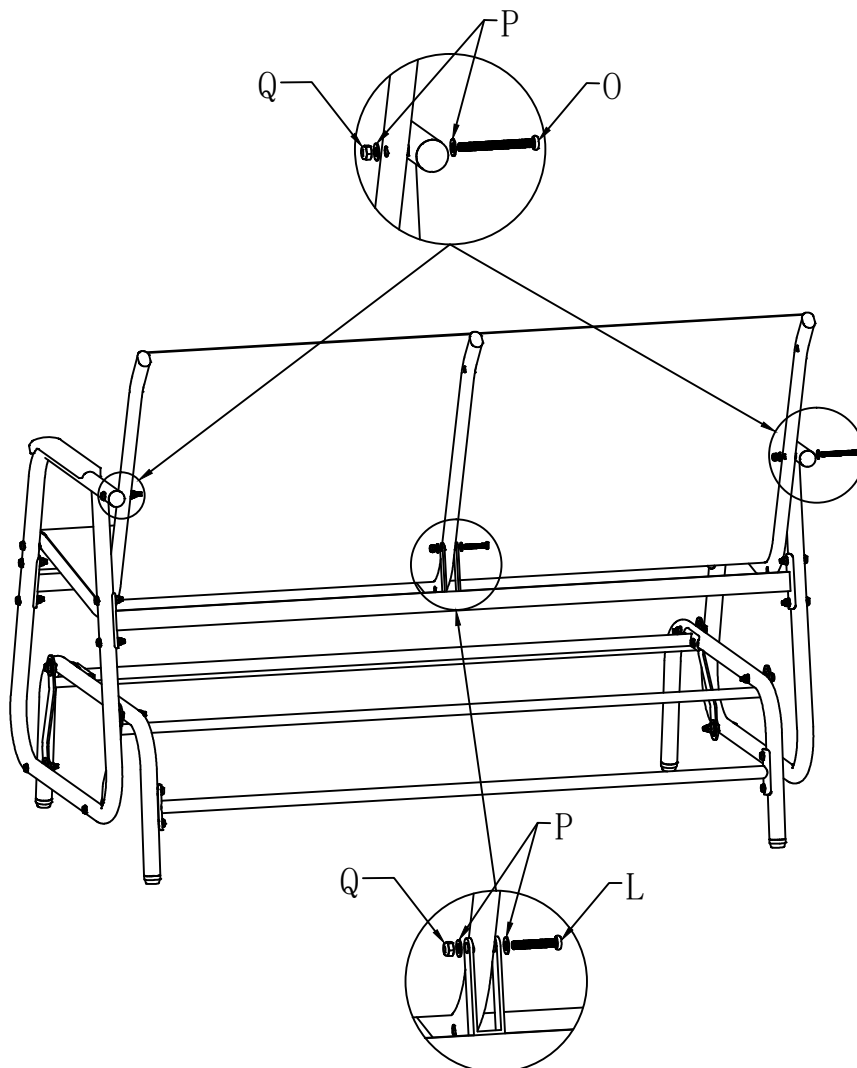
### Step 4



# Step 5



# Step 6



# Step 7

