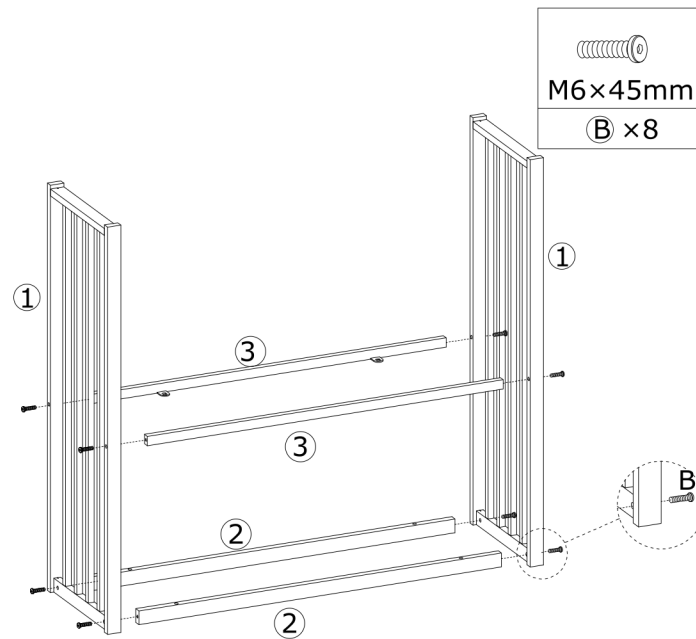
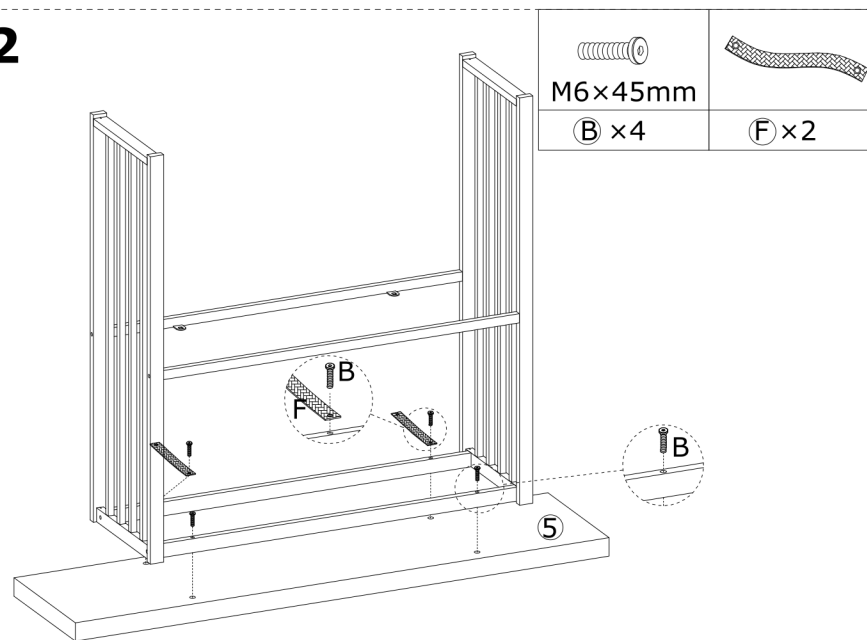




**1**




**2**





  
M6x12mm  
(A) x 4

  
M6x45mm  
(B) x 12

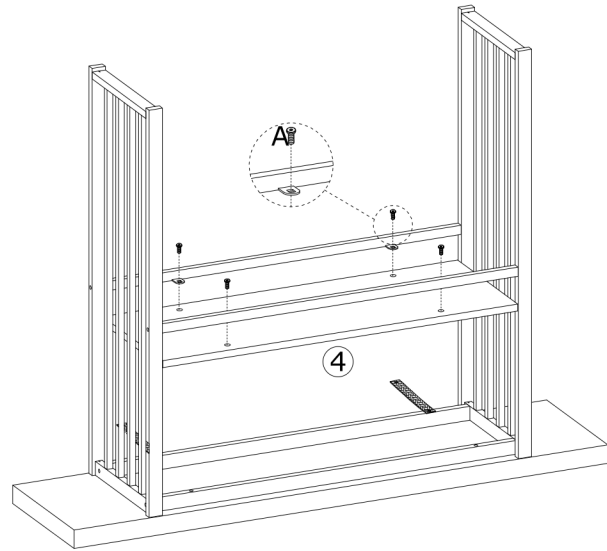
  
(C) x 1


  
Ø6x35mm  
(D) x 2

  
Ø6x30mm  
(E) x 2

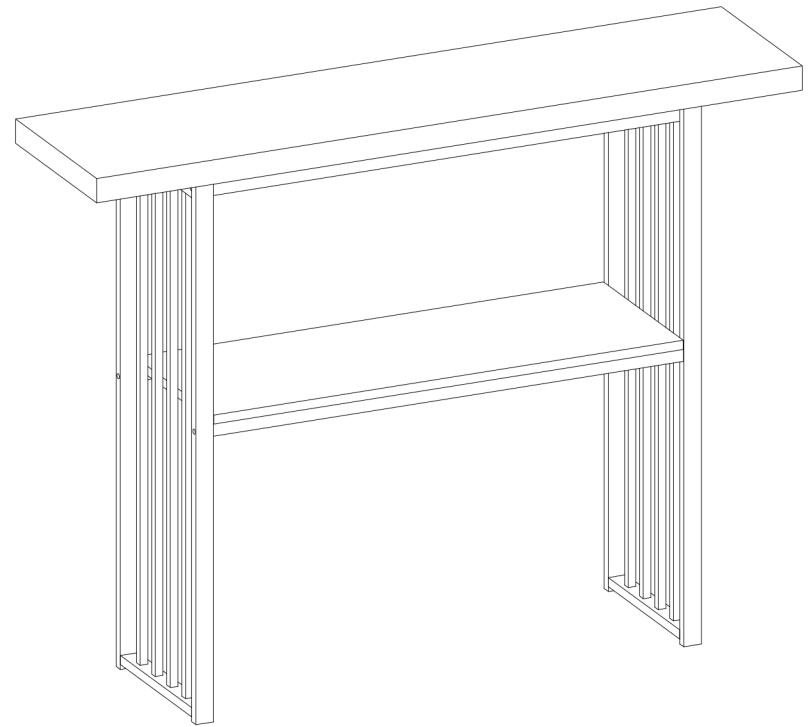
  
(F) x 2

3

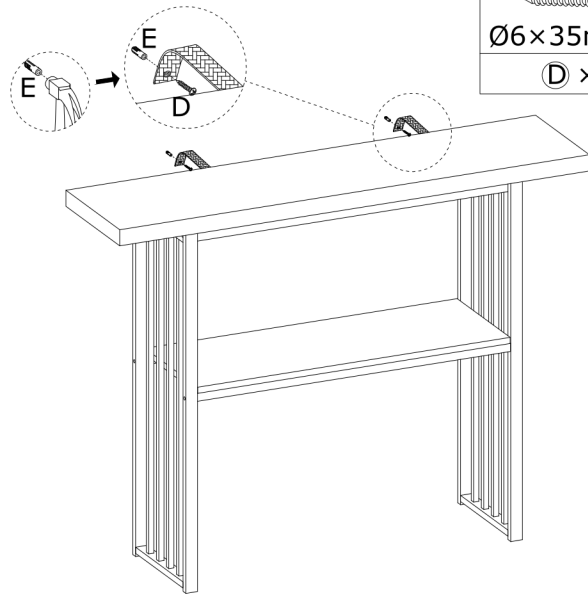





M6×12mm
Ⓐ ×4

5



4



	
Ø6×35mm	Ø6×30mm
Ⓓ ×2	Ⓔ ×2